

From the library of: Diamond Needle Corp

Fig. N. Abb. N.	Part. N. Bestell. N. Pieze N. Pieza N.	Qt. Anzahl	DESCRIZIONE	DESCRIPTION	DESCRIPTION	BENENNUNG	DESCRIPCION
◆	310354-4-00	1	biella con eccentrico e viti	con-rod and screws	bielle avec excentrique et vis		
★	308013-4-00	1	bussola destra completa	right bush assembly	bague droite complète		
■	308178-4-00	1	gruppo biella principale	main con-rod assembly	groupe bielle principale		
1	308254-3-00	1	biella con eccentrico e viti	con-rod with cam and screws	bielle avec excentrique et vis		
2	308311-0-00	1	perno a sfera	ball joint	pivot à sphère		
3	308802-0-00	2	vite per biella	screw for con-rod	vis pour bielle		
4	308855-0-00	1	vite	screw	vis		
5	308174-3-00	1	biella principale completa	main con-rod assembly	bielle principale complète		
6	741056-0-00	4	vite	screw	vis		
7	302272-0-10	2	settore	sector	secteur		
8	704869-0-00	1	rondella	washer	rondelle		
9	745815-2-00	2	vite	screw	vis		
10	308084-2-00	1	anello di registro con viti	adjustment ring with screws	bague de réglage avec vis		
11	746408-2-00	1	dado	nut	écrou		
12	705013-0-00	1	rondella	washer	rondelle		
13	745812-2-00	2	vite	screw	vis		
14	308159-2-01	1	manovella	crank	manivelle		
15	308166-0-00	1	perno	pin	pivot		
16	308161-0-00	2	vite	screw	vis		
17	308149-0-01	2	rondella	washer	rondelle		
18	308162-0-00	2	dado	nut	écrou		
19	308127-0-00	1	guarnizione	gasket	garniture		
20	308012-2-00	1	bussola	bush	bague		
21	730054-2-00	1	vite per volantino	screw for pulley	vis pour volant		
22	700596-0-00	1	anello di tenuta	retainer ring	bague d'étanchéité		
23	742222-2-00	3	vite	screw	vis		
24	308090-0-00	1	volantino	handwheel	volant		
25	729044-2-00	1	vite	screw	vis		

From the library of: Diamond Needle Corp

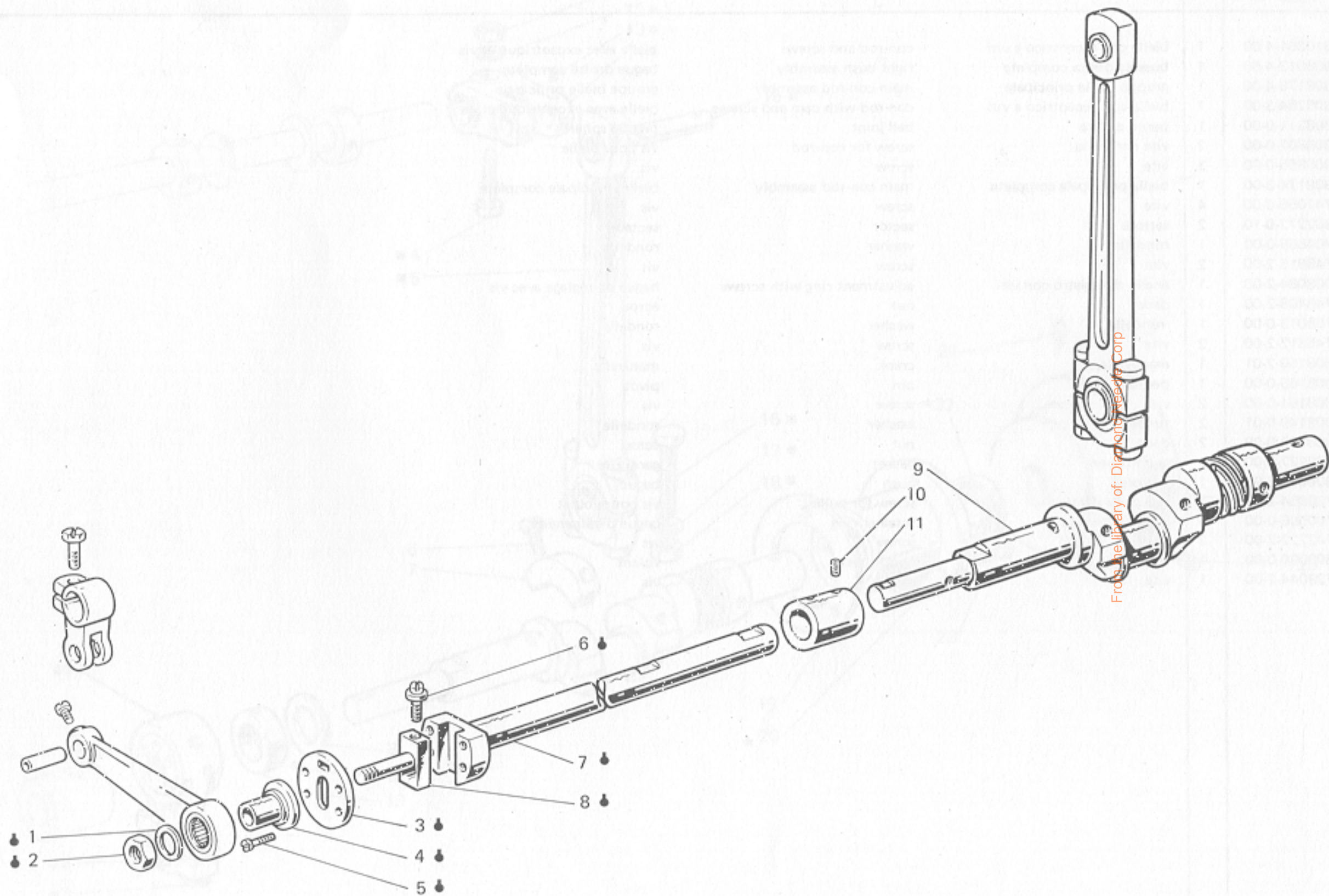
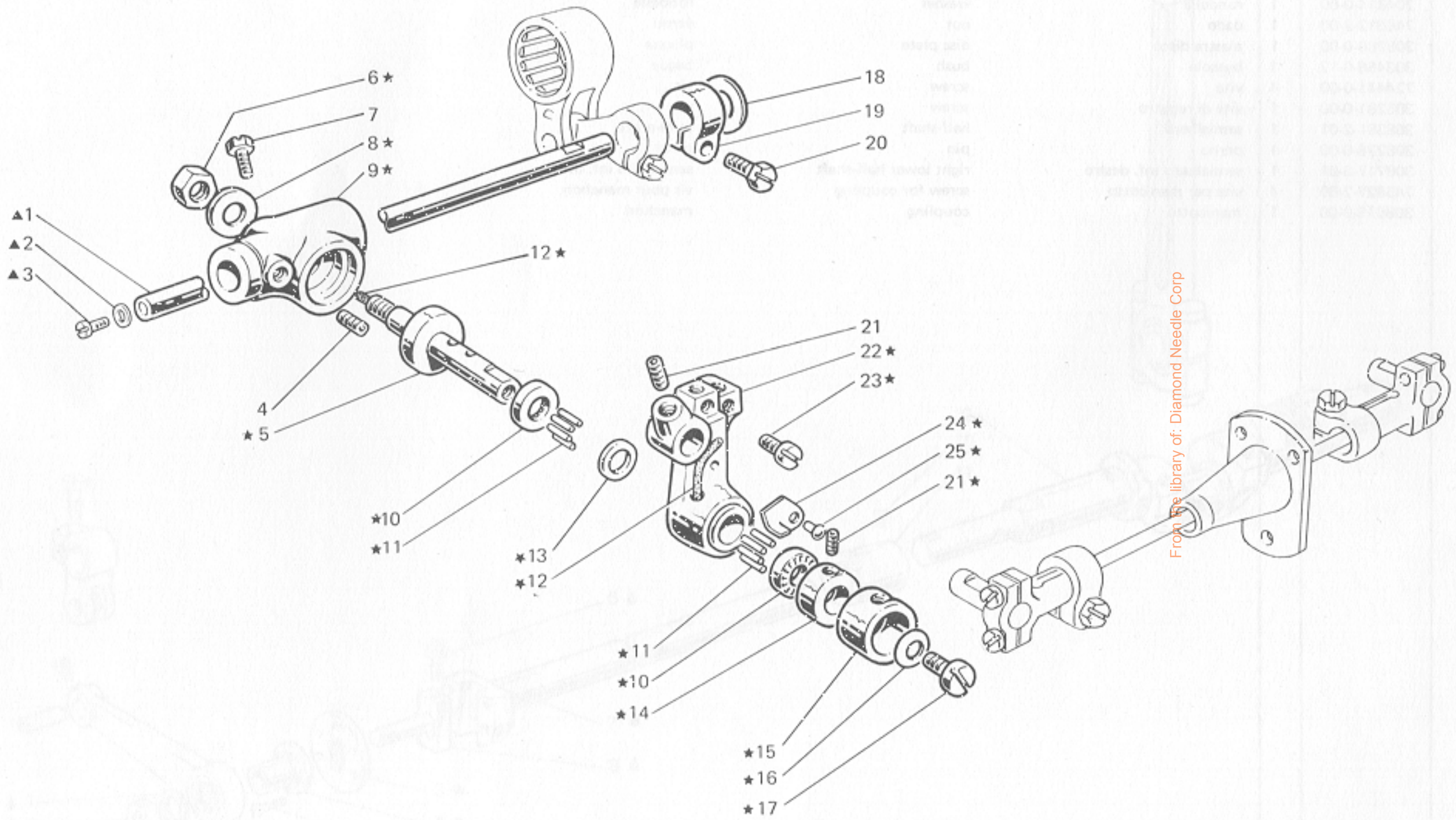


Fig. N. Abb. N.	Part. N. Besteil N. Piece N. Pieza N.	Qt. Anzahl	DESCRIZIONE	DESCRIPTION	DESCRIPTION	BENENNUNG	DESCRIPCION
—	309707-4-00	1	gruppo albero inf. compl.	lower shaft assembly	arbre inférieur complet		
●	308358-4-00	1	semialbero inf. sinistro compl.	left lower half-shaft assembly	semi-arbre inf. gauche compl.		
1	704814-0-00	1	rondella	washer	rondelle		
2	746612-2-00	1	dado	nut	écrou		
3	308280-0-00	1	piastra disco	disc plate	plaque		
4	303458-0-12	1	bussoia	bush	bague		
5	724441-0-00	4	vite	screw	vis		
6	308281-0-00	1	vite di registro	screw	vis		
7	308381-2-01	1	semialbero	half-shaft	semi-arbre		
8	308278-0-00	1	perno	pin	pivot		
9	308717-3-01	1	semialbero inf. destro	right lower half-shaft	semi-arbre inf. droite		
10	745827-2-00	4	vite per manicotto	screw for coupling	vis pour manchon		
11	308015-0-00	1	manicotto	coupling	manchon		

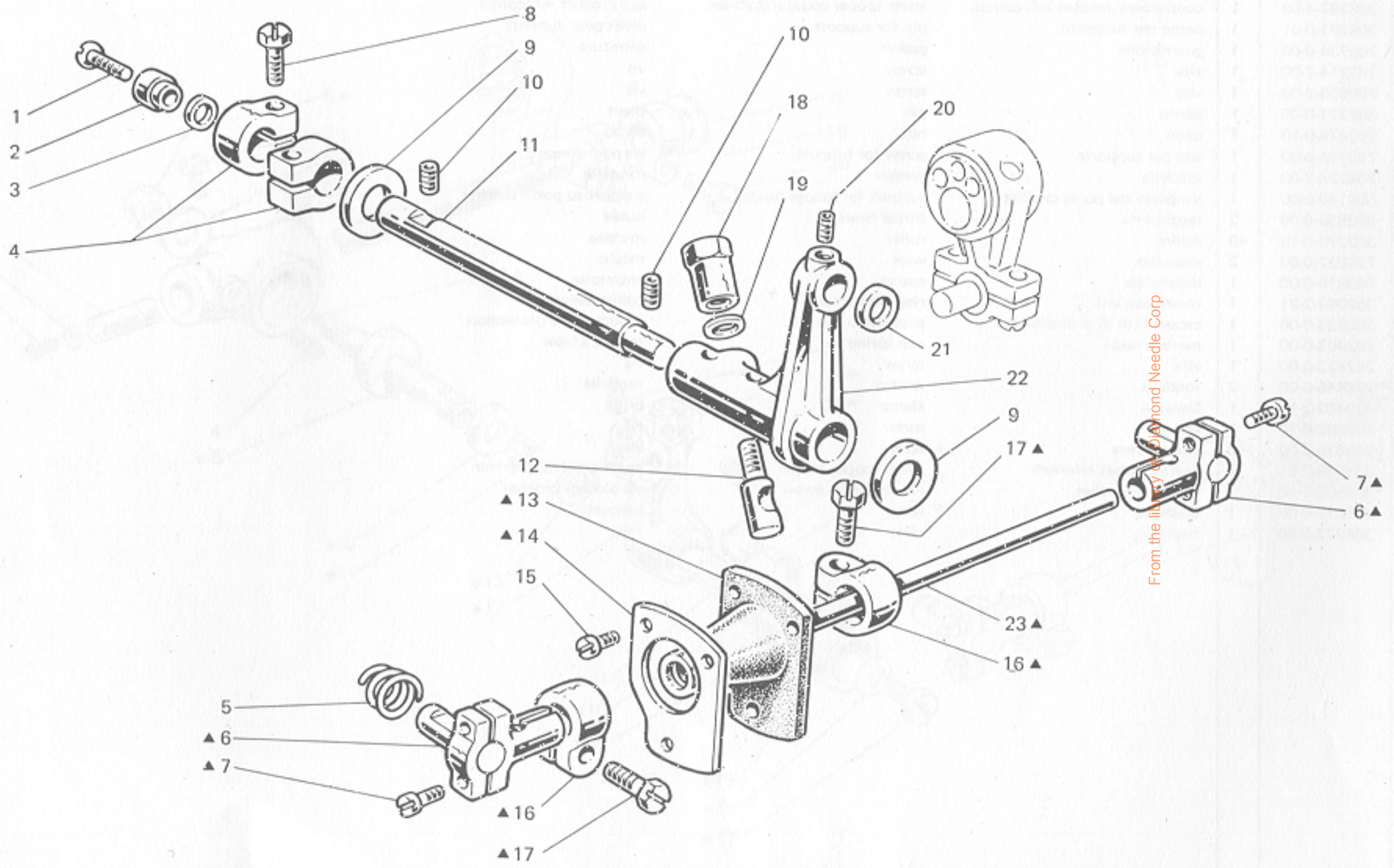
From the library of: Diamond Needle Corp



From the library of: Diamond Needle Corp

Fig. N. Abb. N.	Part. N. Pezce N. Bestell N. Pieza N.	Qt. Anzahl	DESCRIZIONE	DESCRIPTION	DESCRIPTION	BENENNUNG	DESCRIPCION
★	308263-4-00	1	gruppo porta crochet	looper holder assembly	groupe porte-crochet		
▲	308292-4-00	1	contralbero crochet inf. compl.	lower looper countershaft ass.	axe crochet inf. compl.		
1	308291-0-01	1	perno per supporto	pin for support	pivot pour support		
2	705734-0-00	1	guarnizione	gasket	garniture		
3	742214-2-00	1	vite	screw	vis		
4	730033-2-00	1	vite	screw	vis		
5	308271-0-00	1	perno	pin	pivot		
6	202474-0-10	1	dado	nut	écrou		
7	740226-0-00	1	vite per supporto	screw for support	vis pour support		
8	704226-2-00	1	rondella	washer	rondelle		
9	308140-0-00	1	supporto del porta crochet	support for looper holder	support su porte crochet		
10	303539-0-00	2	reggispinta	thrust bearing	butés		
11	302276-0-10	40	rullino	roller	rouleau		
12	778827-0-00	2	stoppino	wick	mèche		
13	703810-0-00	1	distanziale	spacer	entretoise		
14	302052-2-21	1	ghiera con viti	ring with screws	collier avec vis		
15	303538-0-00	1	cappello di protezione	protection cap	capuchon de protection		
16	702403-0-00	1	molla a tazza	cup spring	ressort à tasse		
17	742423-0-00	1	vite	screw	vis		
18	704846-0-00	2	rondella	washer	rondelle		
19	300469-2-11	1	fascetta	ciamp	bride		
20	300482-0-10	1	vite	screw	vis		
21	745815-2-00	3	vite per leva	screw	vis		
22	308268-2-01	1	porta crochet inferiore	lower looper holder	porte crochet inférieur		
23	303503-0-10	2	vite fissa crochet	looper fixing screw	vis blocage crochet		
24	308272-0-00	1	piastrina	sheet	plaquette		
25	308273-0-00	1	rivetto	rivet	rivet		

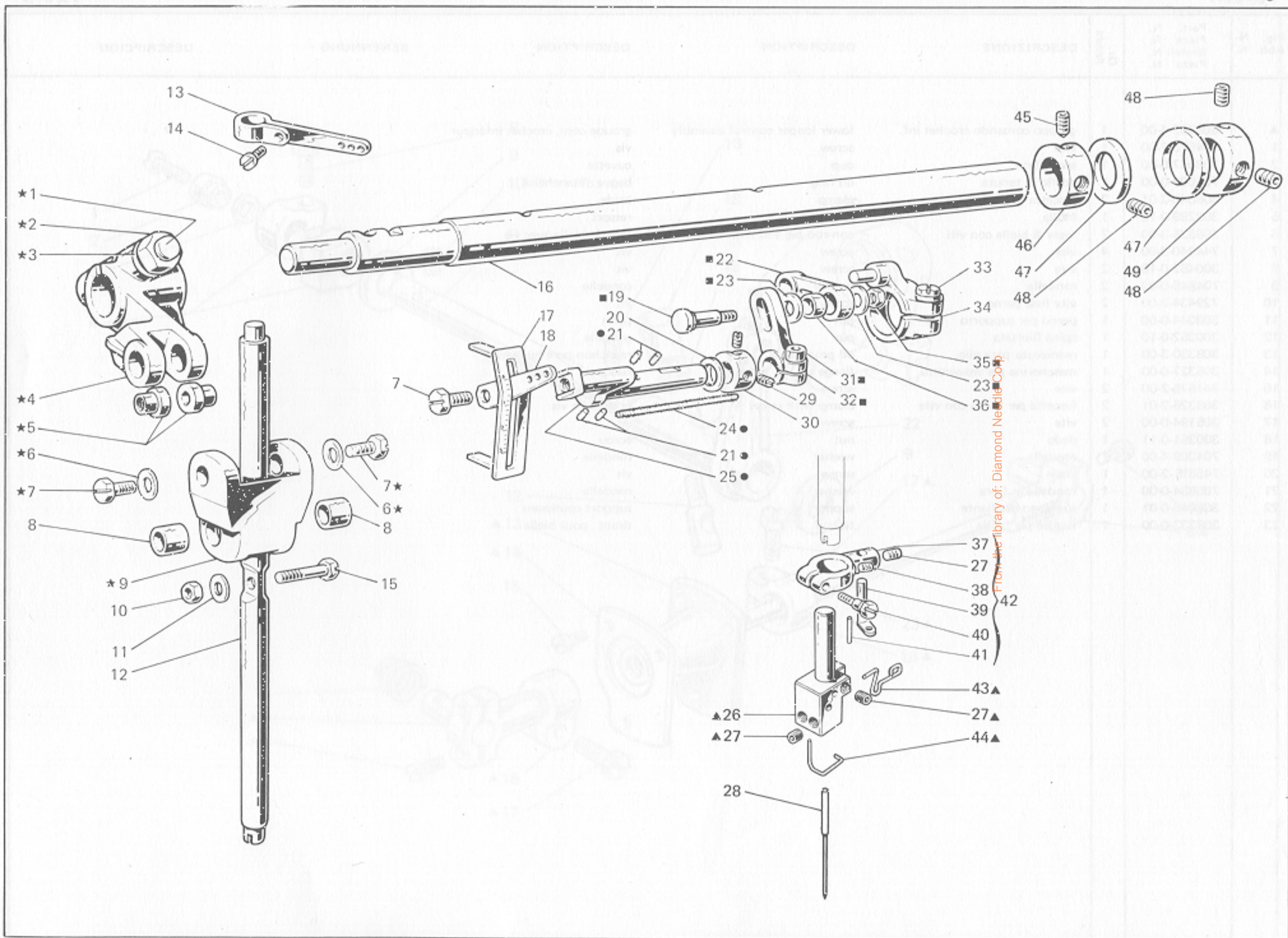
From the library of: Diamond Needle Corp



From the library of Diamond Needle Corp

Fig. N. Abb. N.	Part. N. Piece N. Bestell N. Pieza N.	Qt. Anzahl	DESCRIZIONE	DESCRIPTION	DESCRIPTION	BENENNUNG	DESCRIPCION
▲	308332-4-00	1	gruppo comando crochet inf.	lower looper control assembly	groupe com. crochet inférieur		
1	744676-2-00	1	vite	screw	vis		
2	308047-0-00	1	scodellino	cup	cuvette		
3	701009-0-00	1	anello di tenuta	oil ring	bague d'étanchéité		
4	308046-2-01	2	fascetta	clamp	bride		
5	302289-0-10	1	molla	spring	ressort		
6	308325-3-00	2	testa di biella con viti	con-rod big end with screws	tête de bielle avec vis		
7	744040-2-00	4	vite	screw	vis		
8	300482-0-10	2	vite	screw	vis		
9	704849-0-00	2	rondella	washer	rondelle		
10	729434-2-00	2	vite fissa perno	screw	vis		
11	308044-0-00	1	perno per supporto	pin	pivot		
12	300352-0-10	1	spina filettata	pin	goupille		
13	308330-3-00	1	manicotto para olio	oil protection	manchon pare huile		
14	308327-0-00	1	mascherina per manicotto	flange	flasque		
15	741675-2-00	2	vite	screw	vis		
16	308326-2-01	2	fascetta per biella con vite	clamp with screw	bride avec vis		
17	305194-0-00	2	vite	screw	vis		
18	300351-0-11	1	dado	nut	écrou		
19	704309-4-00	1	rondella	washer	rondelle		
20	745815-2-00	1	vite	screw	vis		
21	705834-0-00	1	rondella in fibra	washer	rondelle		
22	308045-0-01	1	supporto oscillante	support	support coulissant		
23	308333-0-00	1	tirante per biella	tie-rod	tirant pour bielle		

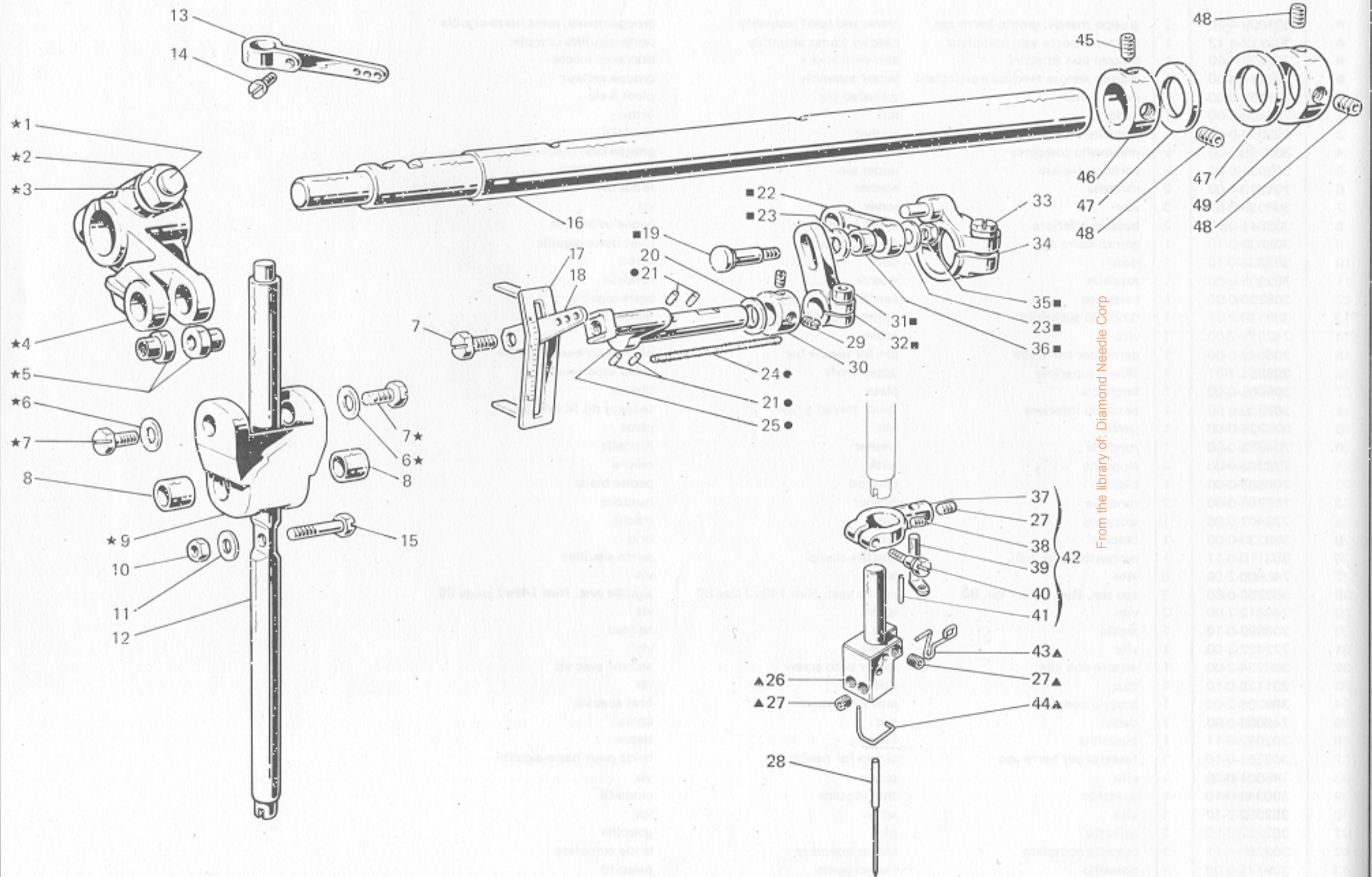
From the library of: Diamond Needle Corp



From the library of: Diamond Needle Corp

Fig. N. Abb. N.	Part. N. Piece N. Bestell N. Pieza N.	Qt. Anzahl	DESCRIZIONE	DESCRIPTION	DESCRIPTION	BENENNUNG	DESCRIPCION
★	308006-4-00	1	gruppo manov. giunto barra ago	crank and joint assembly	groupe maniv. joint barre-aiguille		
▲	303112-4-12	1	morsetto porta aghi completo	needles clamp assembly	porte-aiguilles complet		
●	308238-4-00	1	braccio con stoppini	arm with wicks	bras avec mèche		
■	308244-4-00	1	gruppo settore tenditore articolato	sector assembly	groupe secteur		
1	308855-0-00	1	perno a vite	threaded pin	pivot à vis		
2	746408-2-00	1	dado	nut	écrou		
3	705013-0-00	1	rondella	washer	rondelle		
4	308036-2-00	1	manovella completa	crank assembly	groupe bras manivelle		
5	308037-0-00	2	perno superiore	upper pin	pivot supérieur		
6	704210-4-00	2	rondella	washer	rondelle		
7	308039-0-01	3	vite	screw	vis		
8	308041-0-00	2	bussola inferiore	lower bush	bague inférieure		
9	308038-0-10	1	giunto barra ago	needle bar joint	joint barre-aiguille		
10	302338-0-10	1	dado	nut	écrou		
11	703005-0-00	1	rondella	washer	rondelle		
12	308220-0-00	1	barra ago	needle bar	barre-aiguille		
13	308139-2-01	1	tendifilo superiore	upper thread take-up	tendeur supérieur		
14	742311-2-00	1	vite	screw	vis		
15	308042-0-00	1	perno per barra ago	pin for needle bar	pivot pour barre-aiguille		
16	308851-2-01	1	albero superiore	upper shaft	arbre supérieur		
17	308005-0-00	1	targhetta	plate	plaque		
18	308239-0-00	1	tendifilo inferiore	lower thread guide	tendeur du fil inférieur		
19	308235-0-00	1	perno	pin	pivot		
20	704828-0-00	1	rondella	washer	rondelle		
21	778203-0-00	4	stoppino	wick	mèche		
22	206583-0-00	1	biellino	con-rod	pepite bielle		
23	705208-0-00	2	rondella	washer	rondelle		
24	778407-0-00	1	stoppino	wick	mèche		
25	308233-0-00	1	braccio	arm	bras		
26	303110-0-11	1	morsetto porta aghi	needles clamp	porte-aiguilles		
27	745800-2-00	6	vite	screw	vis		
28	968250-0-80	3	ago sist. Rim 149x7 fin. 80	needle syst. Rim 149x7 size 80	aiguille syst. Rim 149x7 jauge 80		
29	745812-2-00	2	vite	screw	vis		
30	303899-0-10	1	anello	ring	anneau		
31	722422-2-00	1	vite	screw	vis		
32	308234-2-00	1	settore con vite	sector with screw	sacteur avec vis		
33	201128-0-10	1	vite	screw	vis		
34	308236-2-00	1	braccio con vite	arm with screw	bras avec vis		
35	746008-0-00	1	dado	nut	écrou		
36	202032-0-11	1	bussolina	bush	bague		
37	302261-0-10	1	fascetta per barra ago	clamp for needle bar	bride pour barre-aiguille		
38	745001-0-00	1	vite	screw	vis		
39	300348-0-10	1	guidafilo	thread guide	guide-fil		
40	302352-0-10	1	vite	screw	vis		
41	302292-0-10	1	spinetta	pin	goupille		
42	302260-4-11	1	fascetta completa	clamp assembly	bride complète		
43	309775-0-00	1	passafilo	thread guide	passe-fil		
44	303131-0-10	1	passafilo	thread guide	passe-fil		
45	730033-2-00	1	vite	screw	vis		

From the library of: Diamond Needle Corp



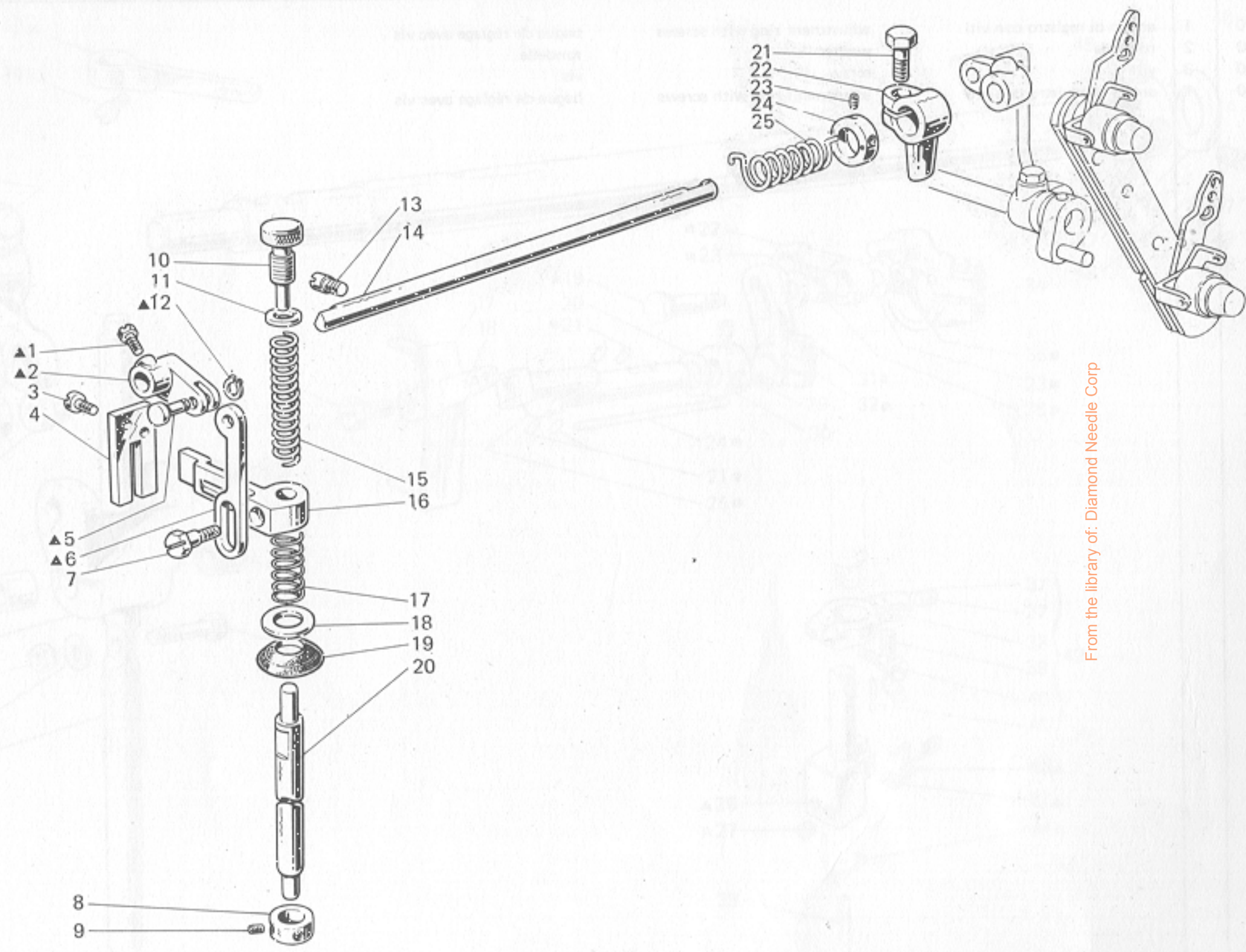
From the library of: Diamond Needle Corp

Fig. N. Abb. N.	Part. N. Piece N. Bestell N. Pieza N.	Qt. Anzahl	DESCRIZIONE	DESCRIPTION	DESCRIPTION	BENENNUNG	DESCRIPCION
★	308600-3-00	1	base e braccio con bussole	base and arm with bushes	base et bras avec bagues		
1	308032-0-00	1	bussola	bush	bague		
2	308215-0-00	1	protezione olio	oil protection	protection huile		
3	308858-0-00	1	bussola	bush	bague		
4	706454-0-00	2	spina	pin	goupille		
5	308859-2-00	1	supporto con bussola fig. 3	support with bush fig. 3	support avec bague fig. 3		
6	721485-2-00	4	vite	screw	vis		
7	308051-0-01	1	bussola	bush	bague		
8	308218-0-00	1	scodellino inferiore	lower cup	cuvette inférieure		
9	308296-0-00	2	bussola	bush	bague		
10	308293-0-01	1	bussola	bush	bague		
11	308297-0-00	1	bussola	bush	bague		
12	308096-0-00	1	guarnizione sinistra base	left gasket for base	garniture gauche pour base		
13	742623-2-00	1	vite	screw	vis		
14	721444-2-00	1	vite	screw	vis		
15	308138-0-11	1	carter paraolio	oil retainer cover	carter protection huile		
16	308074-0-00	1	bussola	bush	bague		
17	308031-0-00	1	bussola	bush	bague		
18	303501-0-10	1	tappo per foro tendifilo	plug	bouchon		
19	308852-0-00	1	bussola	bush	bague		
20	308232-0-00	1	bussola	bush	bague		
21	729032-2-00	1	vite	screw	vis		
22	308086-0-00	1	bussola	bush	bague		
23	308009-0-00	1	bussola	bush	bague		
24	308298-0-00	1	bussola	bush	bague		
25	302356-0-10	1	tappo	plug	bouchon		
26	308853-0-00	2	bussola	bush	bague		

From the library of: Diamond Needle Corp

Fig. N. Abb. N.	Part. N. Piece N. Bestell N. Pieza N.	Qt. Anzahl	DESCRIZIONE	DESCRIPTION	DESCRIPTION	BENENNUNG	DESCRIPCION
46	309831-2-00	1	anello di registro con viti	adjustment ring with screws	bague de réglage avec vis		
47	704869-0-00	2	rondella	washer	rondelle		
48	729013-2-00	3	vite	screw	vis		
49	309830-2-00	1	anello di registro con viti	adjustment ring with screws	bague de réglage avec vis		

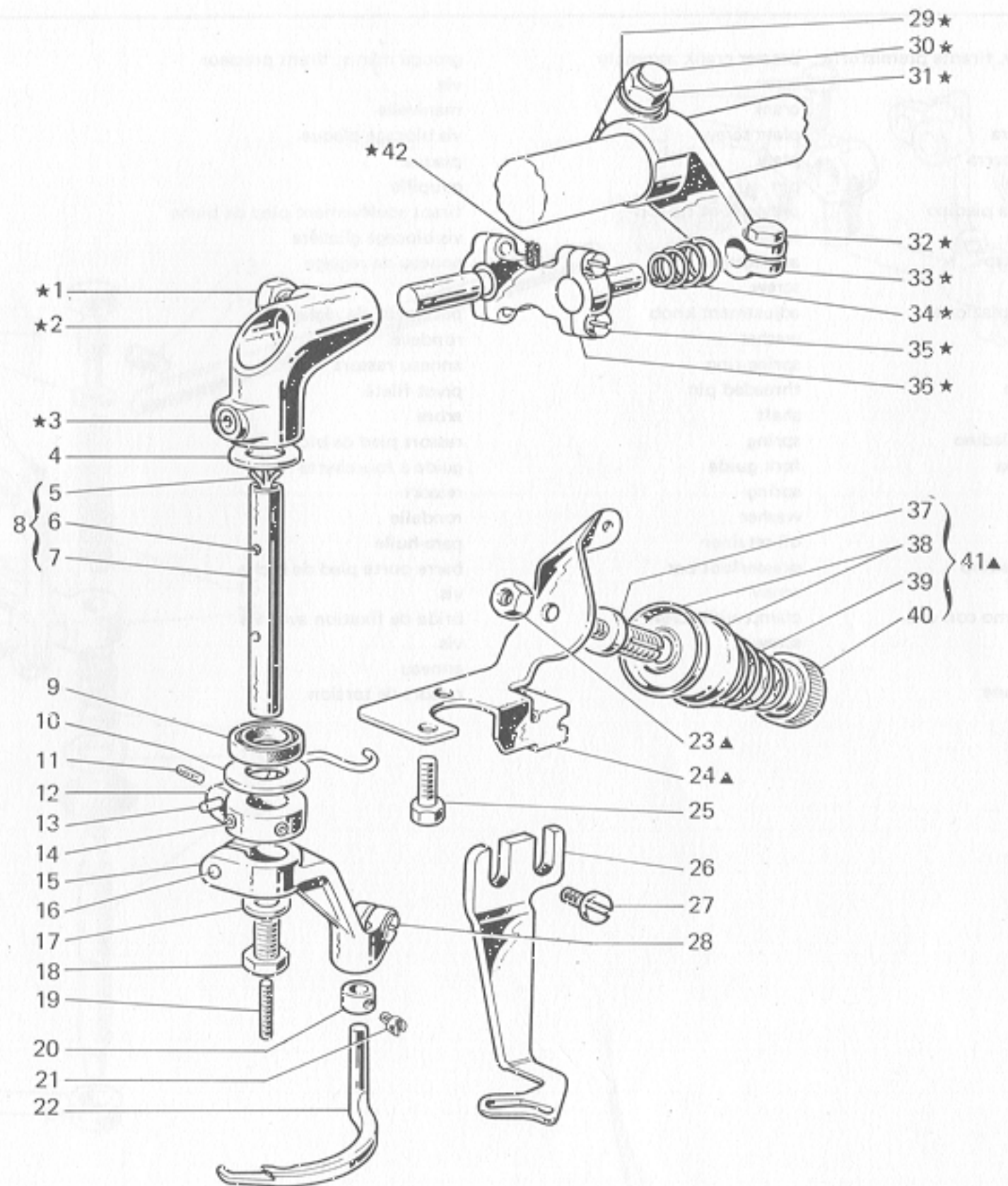
From the library of: Diamond Needle Corp



From the library of: Diamond Needle Corp

Fig. N. Abb. N.	Part. N. Bestell N. Piece N. Pieza N.	Qt. Anzahl	DESCRIZIONE	DESCRIPTION	DESCRIPTION	BENENNUNG	DESCRIPCION
▲	308060-4-00	1	gruppo manov. tirante premistoffa	presser crank assembly	groupe maniv. tirant presseur		
1	740632-2-00	1	vite	screw	vis		
2	308059-0-00	1	manovella	crank	manivelle		
3	721494-2-00	2	vite fissa piastra	plate screw	vis biocage plaque		
4	308056-0-00	1	piastra guida barra	plate	plaque		
5	308058-0-00	1	spina	pin	goupille		
6	308057-0-00	1	tirante per alza piedino	presserfoot tie-rod	tirant soulèvement pied de biche		
7	740444-2-00	1	vite fissa slitta	screw	vis blocage glissière		
8	302859-0-10	1	anello di registro	adjustment ring	anneau de réglage		
9	745114-0-00	2	vite	screw	vis		
10	302060-0-11	1	pomolo di regolazione	adjustment knob	pommeau de réglage		
11	302344-0-10	1	rondella	washer	rondelle		
12	700205-0-00	1	anello elastico	spring ring	anneau ressort		
13	308007-0-00	1	perno filettato	threaded pin	pivot fileté		
14	302234-0-10	1	albero	shaft	arbre		
15	302059-0-10	1	molla premi piedino	spring	ressort pied de biche		
16	308055-2-00	1	guida a forcella	fork guide	guide à fourchette		
17	308148-0-00	1	molla	spring	ressort		
18	703810-0-00	1	rondella	washer	rondelle		
19	308054-0-00	1	paraolio	oil retainer	pare-huile		
20	308061-0-01	1	barra porta piedino	presserfoot bar	barre porte pied de biche		
21	202487-0-10	1	vite	screw	vis		
22	308412-2-00	1	fascetta di fermo con vite	clamp with screw	bride de fixation avec vis		
23	745827-2-00	2	vite	screw	vis		
24	304767-2-10	1	anello	ring	anneau		
25	308098-0-00	1	molla di torsione	spring	ressort de torsion		

From the library of: Diamond Needle Corp



From the library of: Diamond Needle Corp

Fig. N. Abb. N.	Part. N. Piece N. Bestell N. Pieza N.	Qt. Anzahl	DESCRIZIONE	DESCRIPTION	DESCRIPTION	BENENNUNG	DESCRIPCION
★	308079-4-00	1	gruppo crochet copertura	top covering looper assembly	groupe crochet de couverture		
▲	308867-4-00	1	gruppo tensione copertura	tension assembly	groupe tension		
1	740226-0-00	1	vite	screw	vis		
2	308072-2-00	1	raccordo	pipe connection	raccord		
3	730033-2-00	1	vite	screw	vis		
4	704834-0-00	1	rondella	washer	rondelle		
5	778502-0-00	1	stoppino	wick	mèche		
6	778204-0-00	4	stoppino	wick	mèche		
7	308073-0-00	1	perno	pin	pivot		
8	308081-4-00	1	perno verticale	pin	pivot		
9	308075-0-00	1	anello di tenuta	retainer ring	bague d'étanchéité		
10	704835-0-00	1	rondella	washer	rondelle		
11	745800-2-00	1	vite	screw	vis		
12	308868-2-00	1	anello porta astina	ring	anneau		
13	308869-0-00	1	astina tendifilo	rod	tige		
14	745812-2-00	2	vite	screw	vis		
15	308690-2-00	1	porta crochet	looper holder	porte crochet		
16	721494-2-00	1	vite	screw	vis		
17	704309-4-00	1	rondella	washer	rondelle		
18	308076-0-00	1	vite registro	screw	vis		
19	729051-2-00	1	vite	screw	vis		
20	308082-2-00	1	anello	ring	anneau		
21	741413-2-00	1	vite	screw	vis		
22	308750-0-00	1	crochet di copertura	covering looper	crochet couverture		
23	746007-2-00	1	dado	nut	écrou		
24	308866-2-00	1	piastra con passafilo	plate with thread guide	plaque avec passe-fil		
25	740236-0-00	2	vite	screw	vis		
26	303127-0-11	1	passafilo a camma	thread guide	passe-fil		
27	741658-2-00	2	vite	screw	vis		
28	741724-0-00	1	vite	screw	vis		
29	705013-0-00	1	rondella	washer	rondelle		
30	308855-0-00	1	perno a vite	threaded pin	pivot à vis		
31	746408-2-00	1	dado	nut	écrou		
32	302347-0-10	1	vite	screw	vis		
33	308065-2-00	1	manovella albero	crank shaft	manivelle arbre		
34	308269-0-00	1	molla	spring	ressort		
35	308067-0-00	4	vite	screw	vis		
36	308071-3-01	1	gruppo manovella	crank assembly	groupe manivelle		
37	308862-0-00	1	perno a vite	threaded pin	pivot à vis		
38	308863-0-00	2	disco tensione	tension disc	disque tension		
39	308860-0-00	1	molla	spring	ressort		
40	308861-0-00	1	pomolo	knob	pommeau		
41	308864-4-00	1	gruppo tensione	tension assembly	groupe tension		
42	778707-0-00	1	stoppino	wick	mèche		

From the library of: Diamond Needle Corp

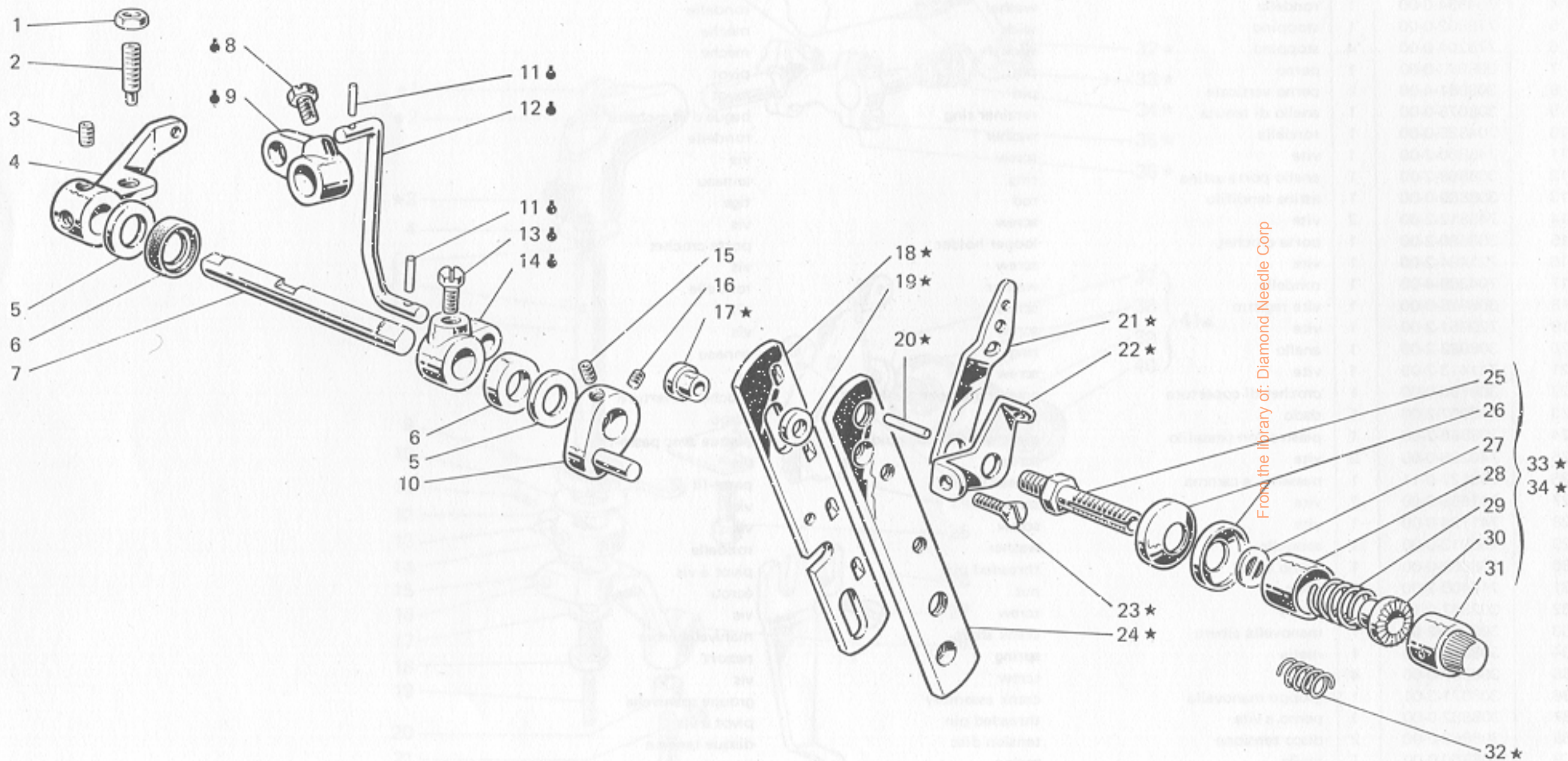
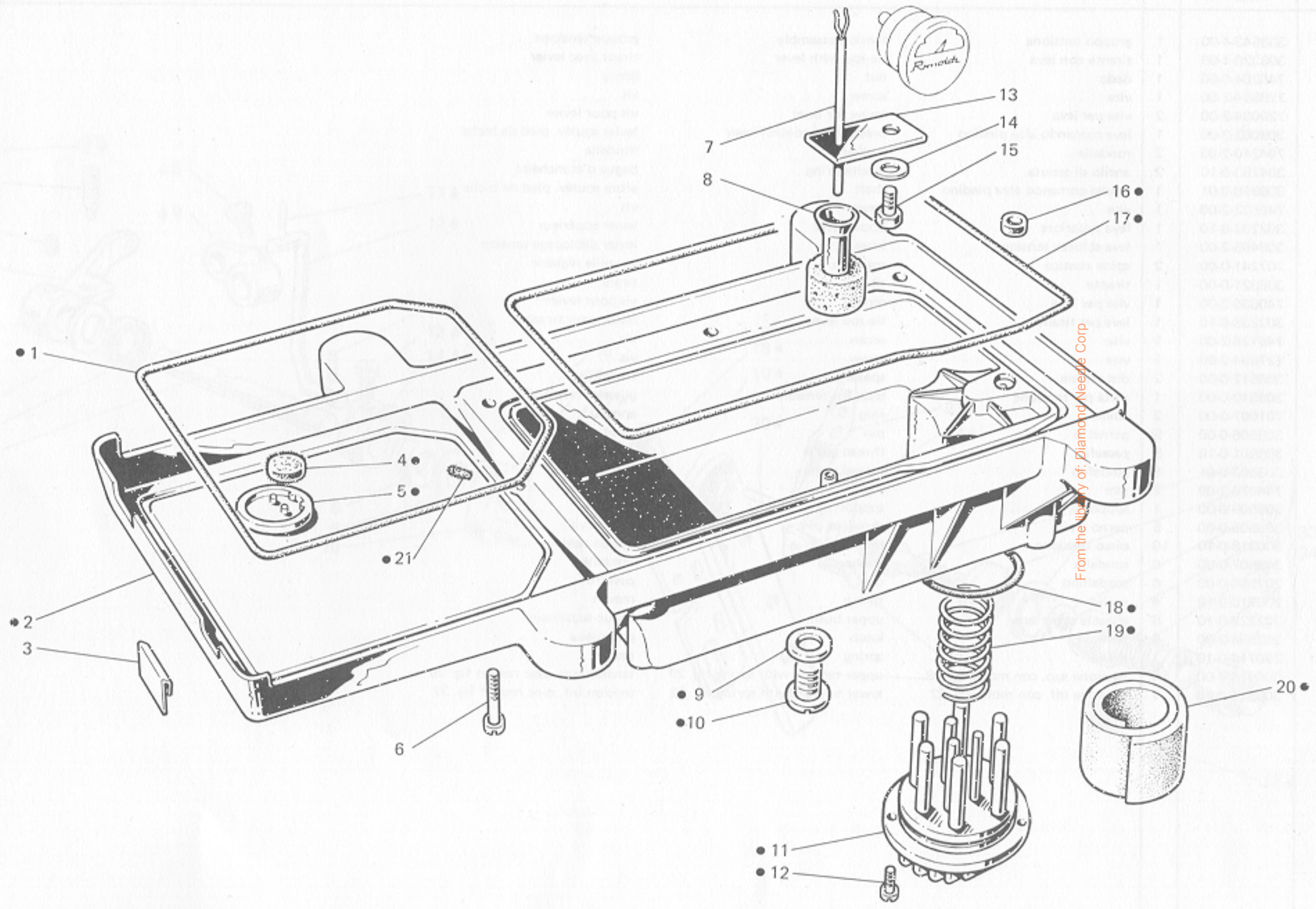


Fig. N. Abb. N.	Part. N. Bestell N. Piece N. Pieza N.	Qt. Anzahl	DESCRIZIONE	DESCRIPTION	DESCRIPTION	BENENNUNG	DESCRIPCION
★	308543-4-00	1	gruppo tensione	tension assembly	groupe tensions		
☛	308320-4-00	1	tirante con leva	tie-rod with lever	tirant avec levier		
1	746204-0-00	1	dado	nut	écrou		
2	729884-2-00	1	vite	screw	vis		
3	729034-2-00	2	vite per leva	screw for lever	vis pour levier		
4	308062-2-00	1	leva comando alza piedino	presserfoot control lever	levier soulév. pied de biche		
5	704240-2-00	2	rondella	washer	rondelle		
6	304763-0-10	2	anello di tenuta	retainer ring	bague d'étanchéité		
7	308996-0-01	1	albero comando alza piedino	shaft	arbre soulév. pied de biche		
8	740632-2-00	1	vite	screw	vis		
9	302232-0-10	1	leva superiore	upper lever	levier supérieur		
10	308495-2-00	1	leva sblocca tensione	lever	levier déblocage tension		
11	707241-0-00	2	spina elastica	split pin	goupille réglable		
12	308321-0-00	1	tirante	tie-rod	tirant		
13	740636-2-00	1	vite per leva	screw	vis pour levier		
14	302238-0-10	1	leva per tirante	tie-rod lever	levier pour tirant		
15	745126-2-00	1	vite	screw	vis		
16	727834-2-00	1	vite	screw	vis		
17	308512-0-00	2	distanziale	spacer	entretoise		
18	308510-0-00	1	slitta per tensione	slide for tension	glissière tension		
19	701007-0-00	2	anello	ring	anneau		
20	308506-0-00	5	pernetto	pin	pivot		
21	308501-0-10	5	passafilo	thread guide	passe-fil		
22	308503-0-01	5	guidafilo	thread guide	guide-fil		
23	744676-2-00	2	vite	screw	vis		
24	308509-0-00	1	supporto	support	support		
25	308505-0-00	5	perno a vite	threaded pin	pivot à vis		
26	300218-0-10	10	disco tensione	tension disc	disque tension		
27	308507-0-00	6	rondella	washer	rondelle		
28	202556-0-00	6	scodellino	cup	cuvette		
29	200710-0-10	4	molla	spring	ressort		
30	202229-0-10	6	bussola superiore	upper bush	bague supérieure		
31	202558-2-00	6	pomolo	knob	pommeau		
32	200714-0-10	1	molla	spring	ressort		
33	308518-4-00	4	tensione sup. con molla fig. 29	upper tension with spring fig. 29	tension sup. avec ressort fig. 29		
34	308521-4-00	1	tensione inf. con molla fig. 32	lower tension with spring fig. 32	tension inf. avec ressort fig. 32		

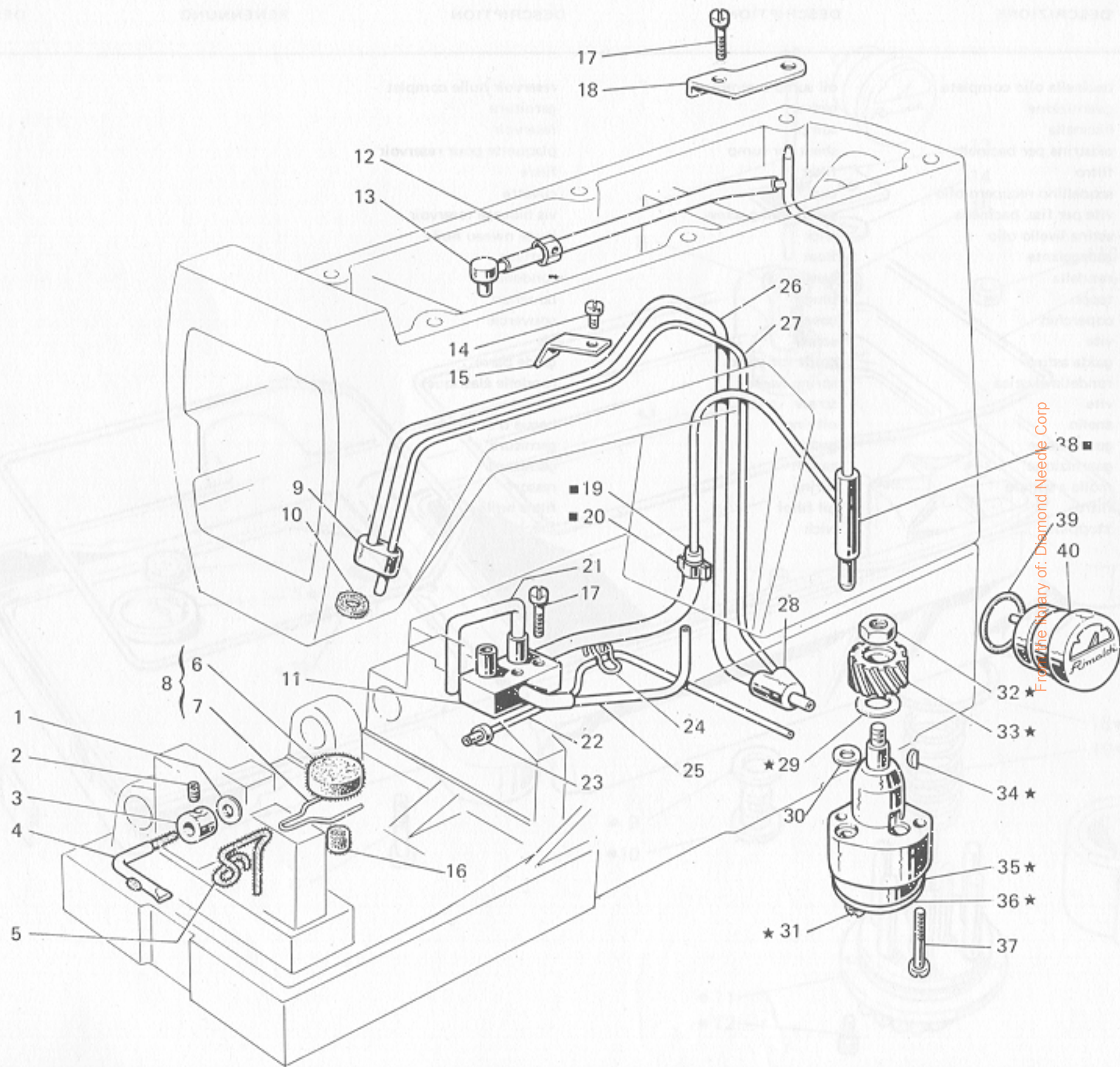
From the library of: Diamond Needle Corp



From the library of: Diamond Needle Corp

Fig. N. Abb. N.	Part. N. Bestell N. Piece N. Pieza N.	Qt. Anzahl	DESCRIZIONE	DESCRIPTION	DESCRIPTION	BENENNUNG	DESCRIPCION
●	308588-4-02	1	bacinella olio completa	oil sump assembly	reservoir huile complet		
1	308125-0-00	1	guarnizione	gasket	garniture		
2	308576-2-01	1	bacinella	sump	reservoir		
3	308002-0-00	2	piastrina per bacinella	sheet for sump	plaquette pour reservoir		
4	308151-0-00	1	filtro	filter	filtre		
5	308150-0-10	1	scodellino recupero olio	cup	cuvette		
6	722453-2-00	6	vite per fiss. bacinella	sump fixing screw	vis blocage reservoir		
7	308231-2-01	1	astina livello olio	stick	jauge niveau huile		
8	308228-2-00	1	galleggiante	float	flotteur		
9	705977-0-00	1	rondella	washer	rondelle		
10	206564-0-00	1	tappo	plug	bouchon		
11	206560-0-10	1	coperchio	cover	couvercle		
12	721464-2-00	2	vite	screw	vis		
13	308226-0-01	1	guida astina	guide for stick	guide barre		
14	703003-0-00	1	rondella elastica	spring washer	rondelle élastique		
15	740240-0-00	1	vite	screw	vis		
16	308113-0-00	1	anello	oil ring	bague d'étanchéité		
17	308126-0-00	1	guarnizione	gasket	garniture		
18	701051-0-00	1	guarnizione	gasket	garniture		
19	206545-0-00	1	molla a spirale	spring	ressort		
20	206559-0-00	1	filtro	oil filter	filtre huile		
21	778461-0-00	1	stoppino	wick	mèche		

From the library of: Diamond Needle Corp



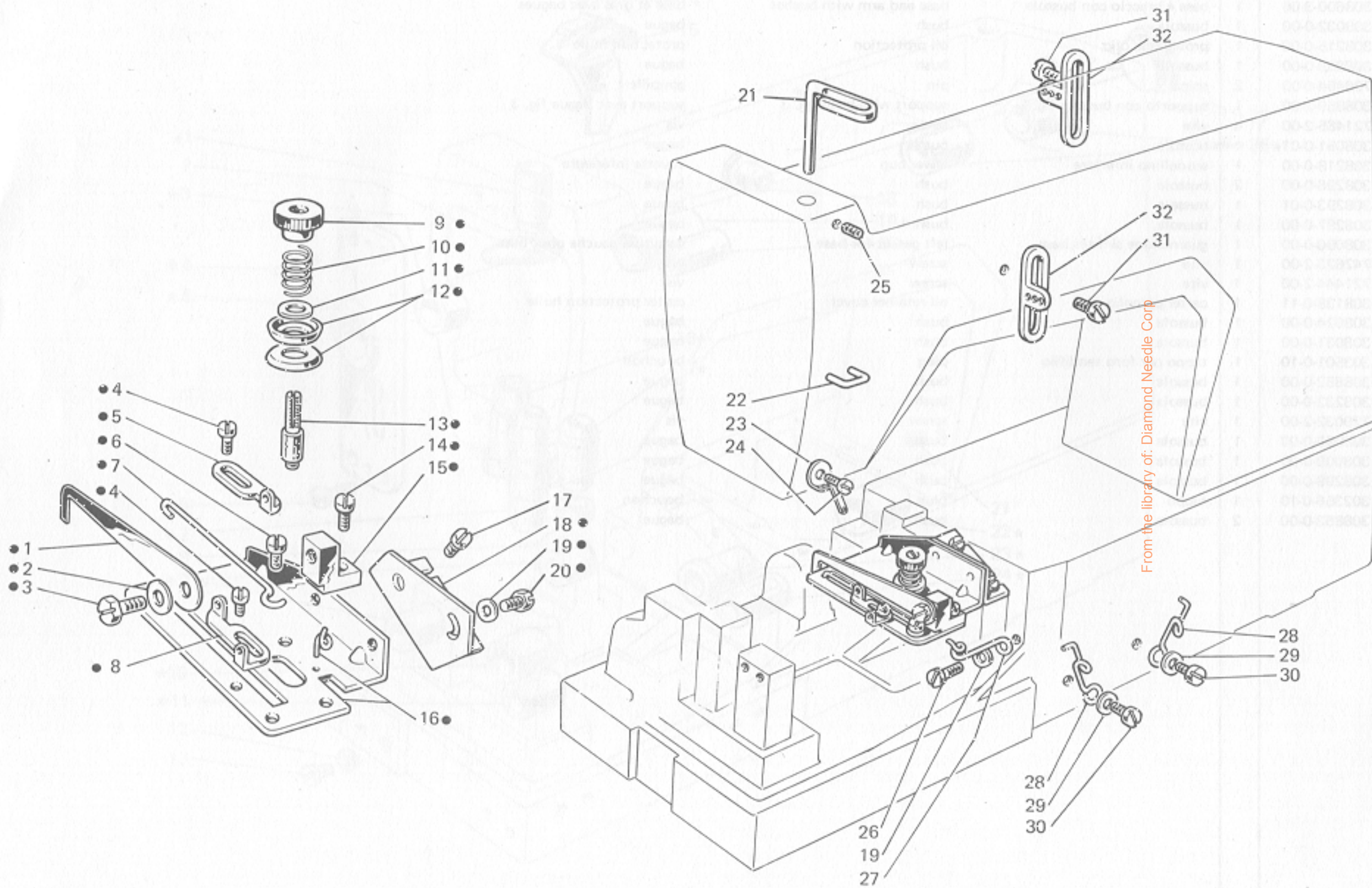
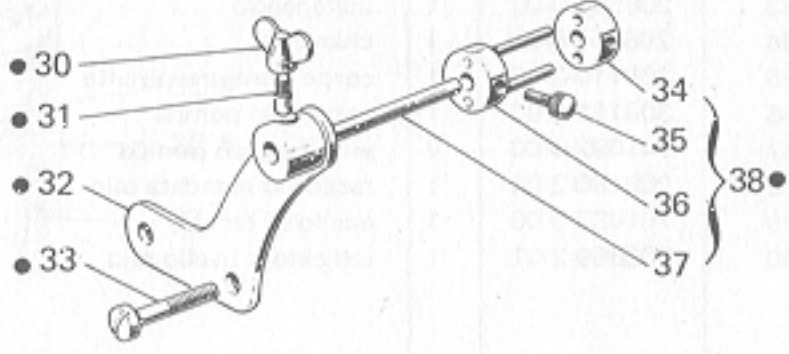
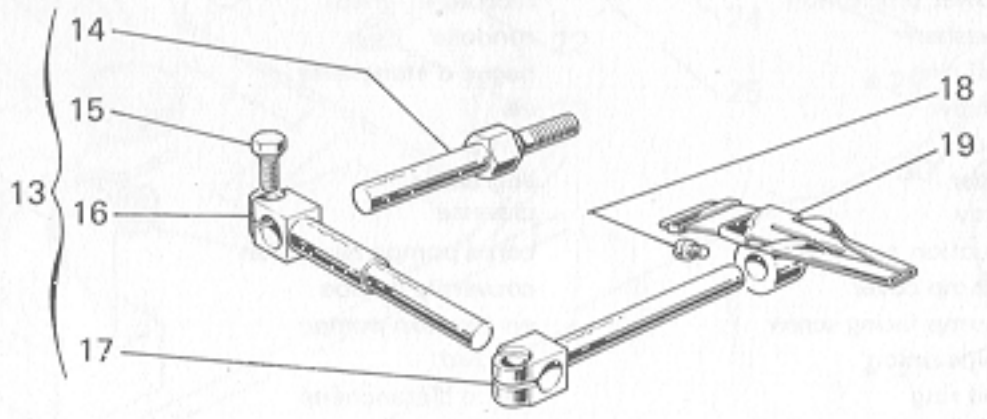
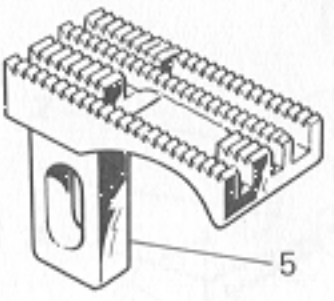
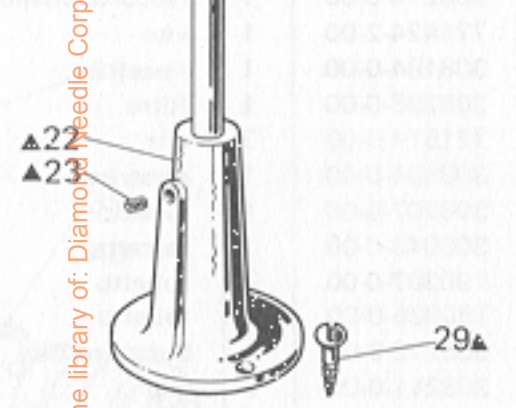
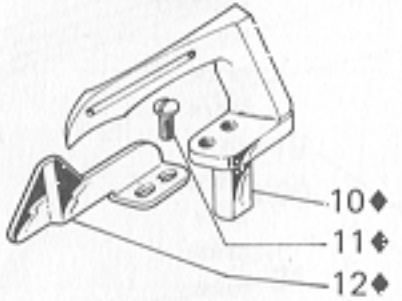
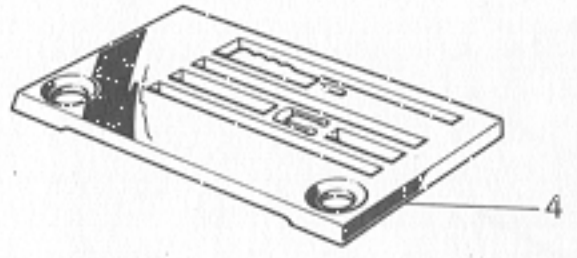
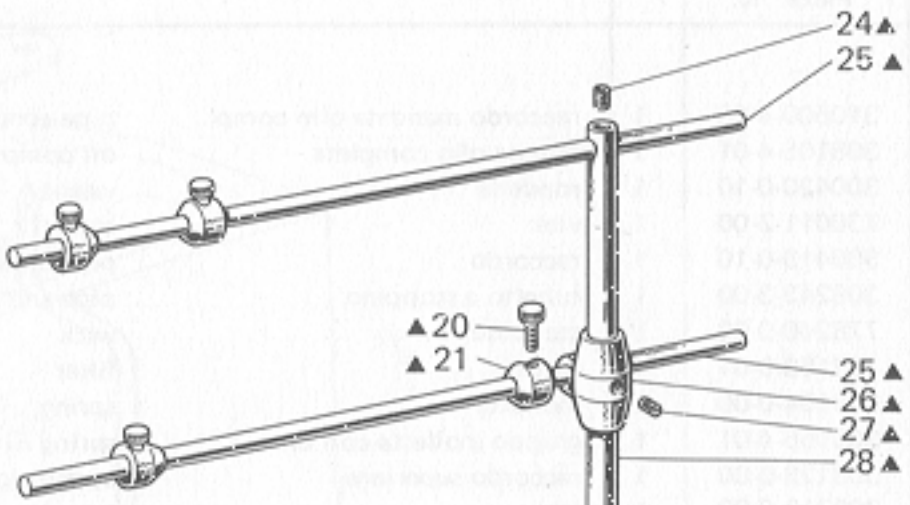
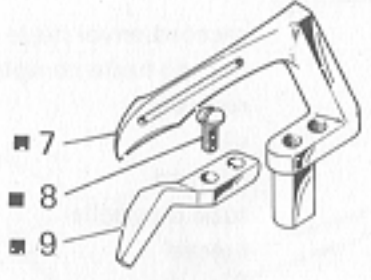
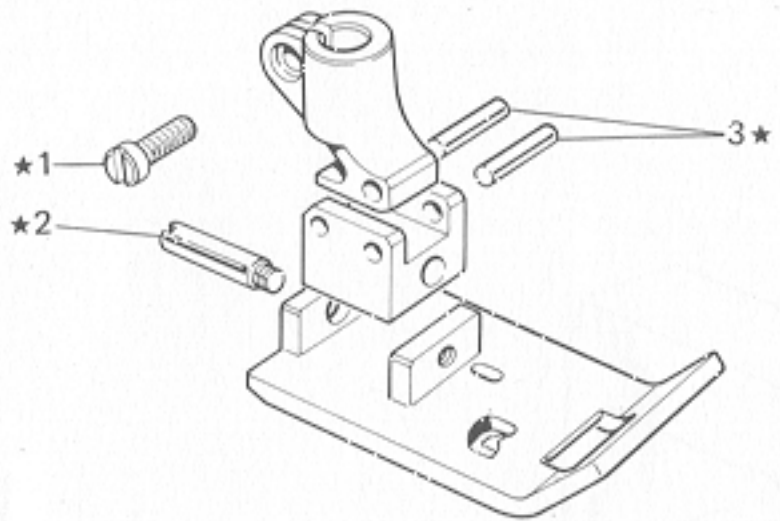


Fig. N. Abb. N.	Part. N. Bestell N. Piecce N. Pieza N.	Qt. Anzahl	DESCRIZIONE	DESCRIPTION	DESCRIPTION	BENENNUNG	DESCRIPCION
■	310500-4-00	1	raccordo mandata olio compl.	pipe connection assembly	raccord envoi huile compl.		
★	308105-4-01	1	pompa olio completa	oil pump assembly	pumpe huile complète		
1	300420-0-10	1	rondella	washer	rondelle		
2	730011-2-00	1	vite	screw	vis		
3	300419-0-10	1	raccordo	pipe union	raccord		
4	308243-3-00	1	tubetto e stoppino	pipe and wick	tube et mèche		
5	778240-0-00	1	stoppino	wick	mèche		
6	308153-0-01	1	filtro	filter	filtre		
7	308154-0-00	1	molletta	spring	ressort		
8	308155-4-01	1	gruppo molletta con filtro	spring with filter assembly	groupe ressort avec filtre		
9	308123-0-00	1	raccordo superiore	upper pipe union	raccord supérieur		
10	308219-0-00	1	feltro	felt	feutre		
11	308114-2-01	1	distributore	distributor	distributeur		
12	308040-2-00	1	tubetto	pipe	tube		
13	308214-0-00	1	raccordo mandata olio	pipe union	raccord		
14	721424-2-00	1	vite	screw	vis		
15	308184-0-00	1	fascetta	clamp	bride		
16	308295-0-00	1	filtro	filter	filtre		
17	721514-0-00	3	vite	screw	vis		
18	308104-0-00	1	piastrina	plate	plaquette		
19	308207-0-00	1	tubetto	pipe	tube		
20	308043-0-00	1	fascetta	clamp	bride		
21	790307-0-00	2	tubetto	pipe	tube		
22	790325-0-00	1	tubetto	pipe	tube		
23	308212-0-00	1	bussolina olio	bush	bague		
24	308211-0-00	2	clip	clip	clip		
25	790315-0-00	1	tubetto	pipe	tube		
26	790342-0-00	1	tubetto recupero olio	pipe	tube		
27	790242-0-00	1	tubetto recupero olio	pipe	tube		
28	308185-0-00	1	raccordo inferiore	lower pipe union	raccord inférieur		
29	704813-0-00	1	rondella	washer	rondelle		
30	701004-0-00	1	anello di tenuta	oil ring	bague d'étanchéité		
31	741082-2-00	2	vite	screw	vis		
32	733507-0-00	1	dado	nut	écrou		
33	206555-0-00	1	ingranaggio	gear	engrenage		
34	206557-0-00	1	chiavetta	key	clavette		
35	308110-3-00	1	corpo pompa aspirante	suction pump body	corps pompe admission		
36	308111-0-00	1	coperchio pompa	pump cover	couvercle pompe		
37	741092-0-00	2	vite fissaggio pompa	pump fixing screw	vis fixation pompe		
38	308180-2-00	1	raccordo mandata olio	pipe union	raccord		
39	701032-0-00	1	anello di tenuta	oil ring	bague d'étanchéité		
40	206669-2-01	1	indicatore livello olio	oil level gauge	indicateur niveau huile		

From the library of: Diamond Needle Corp



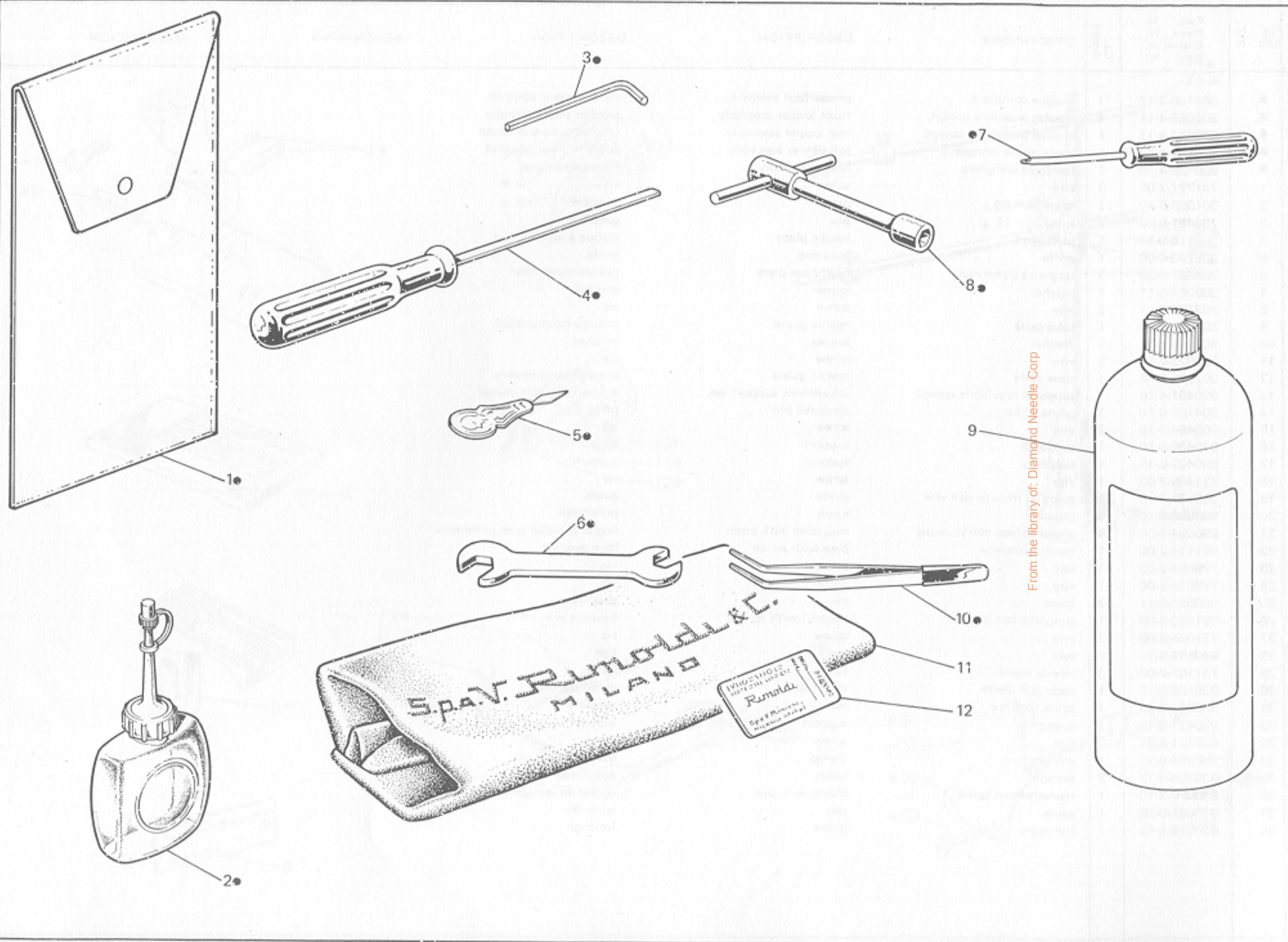
Sp.A. V. Remolds e C. Milano
Made in Italy

6

From the library of: Diamond Needle Corp

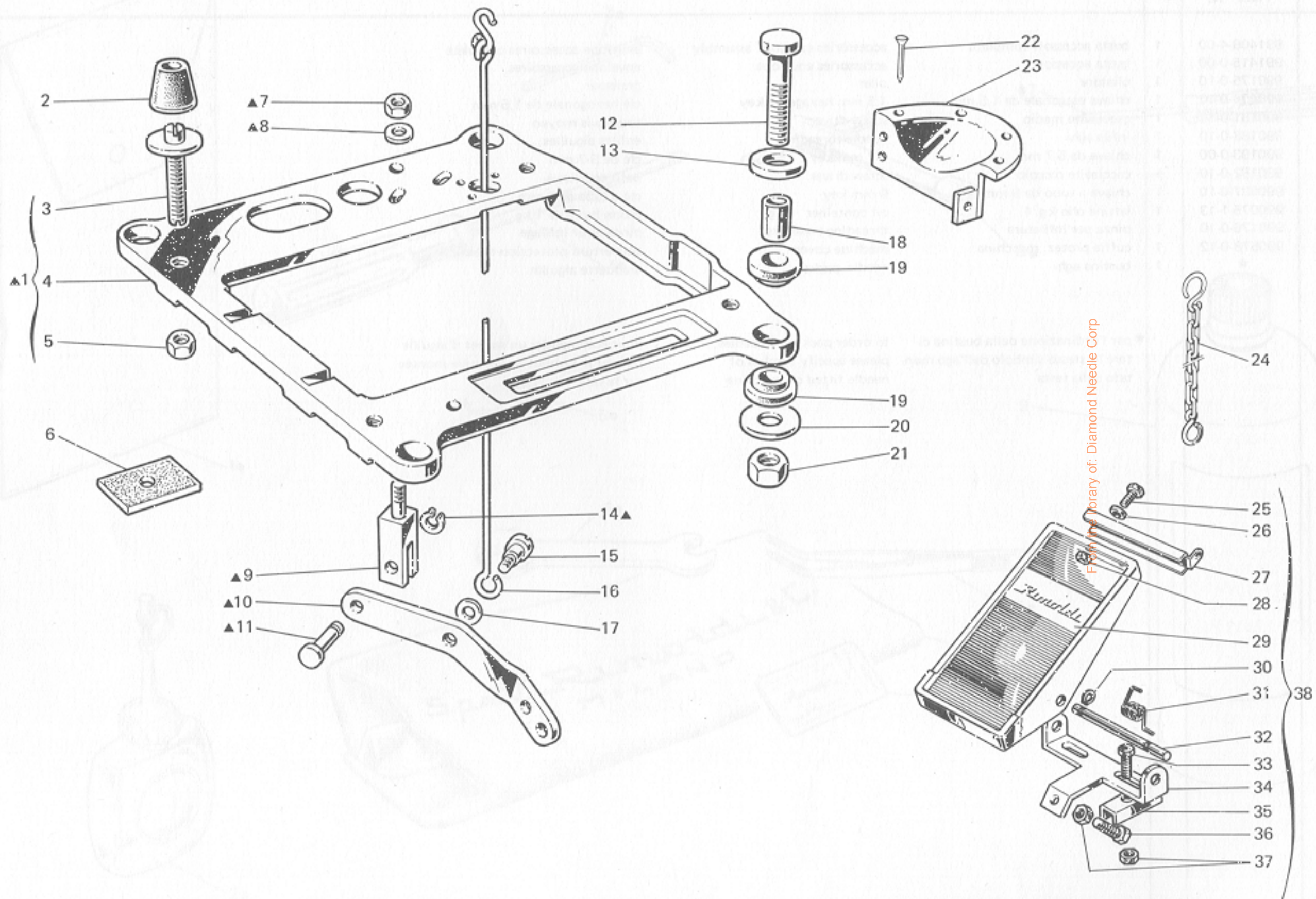
Fig. N. Abb. N.	Part. N. Piece N. Bestell N. Pieza N.	Qt. Anzahl	DESCRIZIONE	DESCRIPTION	DESCRIPTION	BENENNUNG	DESCRIPCION
★	303120-3-12	1	piedino completo	presserfoot assembly	pied-presseur complet		
■	302056-4-11	1	crochet anteriore compl.	front looper assembly	crochet avant complet		
◆	303117-4-11	1	crochet posteriore compl.	rear looper assembly	crochet arrière complet		
▲	990650-4-12	1	porta rotolo completo	roll carrier assembly	porte-rouleau complet		
●	930428-4-10	1	frenaggio completo	brake assembly	freinage complet		
1	741721-2-00	1	vite	screw	vis		
2	301355-0-10	1	spina filettata	pin	goupille		
3	706461-0-00	2	spina	pin	goupille		
4	303118-0-10	1	placca ago	needle plate	plaque à aiguille		
5	308703-0-00	1	griffa	feed dog	griffe		
6	784687-0-20	1	targhetta classe testa	head class plate	plaque classe tête		
7	302057-0-11	1	crochet	looper	crochet		
8	203187-0-11	2	vite	screw	vis		
9	302063-0-10	1	salva asola	needle guard	protège-boutonnière		
10	303116-0-11	1	crochet	looper	crochet		
11	302923-0-10	2	vite	screw	vis		
12	302905-0-10	1	salva asole	needle guard	protège-boutonnière		
13	930431-4-10	1	supporto regolabile compl.	adjustment support ass.	support réglable compl.		
14	304107-0-10	1	perno a vite	threaded pin	pivot à vis		
15	202486-0-10	2	vite	screw	vis		
16	930430-0-10	1	supporto	support	support		
17	930432-0-10	1	supporto	support	support		
18	721435-2-00	1	vite	screw	vis		
19	303137-3-10	1	guida ad imbuto con vite	guide	guide		
20	990596-0-10	4	pomolo	knob	pommeau		
21	990594-2-00	4	anello conico con pomolo	ring cone with knob	bague conique avec pommeau		
22	991114-2-00	1	basetta con vite	base with screw	base avec vis		
23	729054-2-00	1	vite	screw	vis		
24	729034-2-00	1	vite	screw	vis		
25	990593-0-11	2	spina	pin	goupille		
26	991153-2-00	1	supporto con viti	support with screws	support avec vis		
27	729024-2-00	2	vite	screw	vis		
28	990592-0-11	1	asta	rod	tige		
29	731107-2-00	3	vite da legno	screw	vis		
30	930136-0-10	1	dado con alette	wing nut	écrou papillon		
31	930067-0-10	1	spina filettata	pin	goupille		
32	930427-3-10	1	sostegno	support	support		
33	930281-0-11	2	vite	screw	vis		
34	930094-0-10	1	morsetto	clamp	collier de serrage		
35	930096-0-10	2	pomolo	knob	pommeau		
36	930090-2-10	1	morsetto con spina	clamp with pin	collier de serrage avec pivot		
37	930081-0-10	1	spina	pin	goupille		
38	930079-4-10	1	frenaggio	brake	freinage		

From the library of: Diamond Needle Corp



From the library of: Diamond Needle Corp

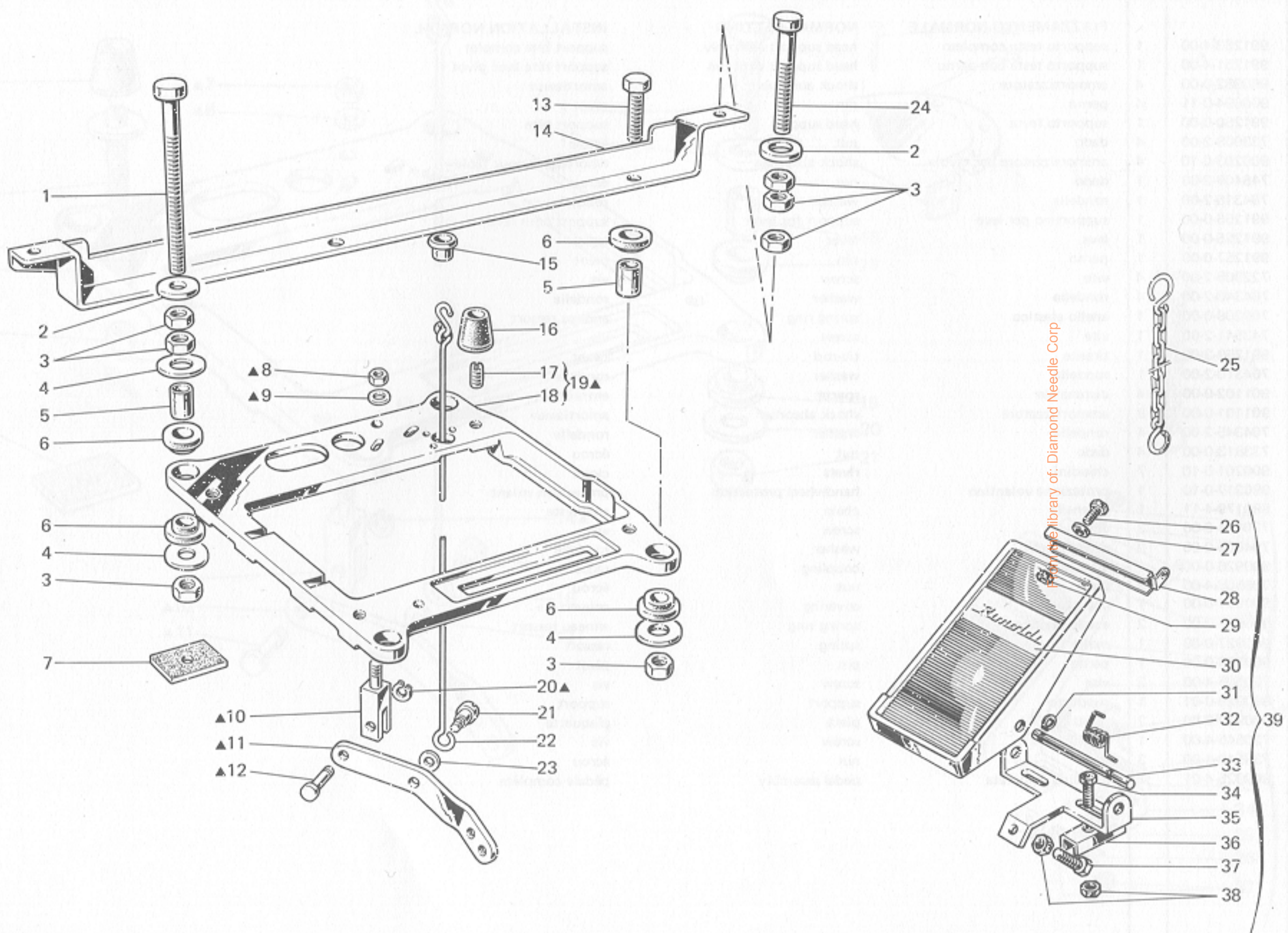
Fig. N. Abb. N.	Part. N. Piece N. Bestell N. Pieza N.	Qt. Anzahl	DESCRIZIONE	DESCRIPTION	DESCRIPTION	BENENNUNG	DESCRIPCION
●	991408-4-00	1	busta accessori completa	accessories envelope assembly	envelope accessoires complète		
1	991415-0-00	1	busta accessori	accessories envelope	envelope accessoires		
2	990175-0-10	1	oliatore	oiler	graisseur		
3	990474-0-10	1	chiave esagonale da 1,5 mm	1,5 mm hexagonal key	clé hexagonale de 1,5 mm		
4	990181-0-10	1	cacciavite medio	screw-driver	tournevis moyen		
5	990188-0-10	1	infilatura aghi	needle threading	enfiles aiguilles		
6	990193-0-00	1	chiave da 5-7 mm	5-7 mm key	clé de 5-7 mm		
7	990182-0-10	1	cacciavite piccolo	screw driver	petit tournevis		
8	990587-0-10	1	chiave a tubo da 9 mm	9 mm key	clé a tube de 9 mm		
9	990075-1-13	1	lattina olio kg. 1	oil container 1 kg	bidon huile de 1 kg		
10	990176-0-10	1	pinza per infilatura	threading tweezers	pince pour infilage		
11	990578-0-12	1	cuffia protez. macchina	machine cover	couverture protection machine		
12	★	1	bustina aghi	needle packet	paquette aiguille		
			★ per l'ordinazione della bustina citare lo stesso simbolo dell'ago montato sulla testa	to order packet of needles please specify symbol of needle fitted on machine	pour commander un sachet d'aiguille donner le symbole de l'aiguille montée sur la tête		



From the Library of: Diamond Needle Corp

Fig. N. Abb. N.	Part. N. Bestell. N. Piece N. Pieza N.	Qt. Anzahl	DESCRIZIONE	DESCRIPTION	DESCRIPTION	BENENNUNG	DESCRIPCION
▲	991253-4-00	1	PIAZZAMENTO NORMALE	NORMAL SETTING	INSTALLATION NORMAL		
1	991251-4-00	1	supporto testa completo	head support assembly	support tête complet		
2	990982-0-00	4	ammortizzatore	shock absorber	support tête avec pivot		
3	900694-0-11	4	perno	pin	amortisseur		
4	991250-0-00	1	supporto testa	head support	pivot		
5	733008-2-00	4	dado	nut	support tête		
6	900203-0-10	4	ammortizzatore per tavola	shock absorber	écrou		
7	746409-2-00	1	dado	nut	amortisseur pour table		
8	704316-2-00	1	rondella	washer	écrou		
9	991256-0-00	1	supportino per leva	support for lever	rondelle		
10	991255-0-00	1	leva	lever	support pour levier		
11	991257-0-00	1	perno	pin	levier		
12	722905-2-00	4	vite	screw	pivot		
13	704346-2-00	4	rondella	washer	vis		
14	700206-0-00	1	anello elastico	spring ring	rondelle		
15	743541-2-00	1	vite	screw	anneau ressort		
16	991259-3-00	1	tirante	tie-rod	vis		
17	704310-2-00	1	rondella	washer	tirant		
18	901102-0-00	4	distanziale	spacer	rondelle		
19	901101-0-00	8	ammortizzatore	shock absorber	entretoise		
20	704345-2-00	4	rondella	washer	amortisseur		
21	733813-0-00	4	dado	nut	rondelle		
22	900201-0-10	7	chiodini	rivets	écrou		
23	990317-0-10	1	protezione volantino	handwheel protection	clous		
24	990179-4-11	1	catenella	chain	protection volant		
25	720464-0-00	2	vite	screw	chainette		
26	704009-0-00	2	rondella	washer	vis		
27	900926-0-00	1	attacco	coupling	rondelle		
28	733508-4-00	2	dado	nut	raccord		
29	900931-0-00	1	copertura	covering	écrou		
30	900918-0-00	2	anello elastico	spring ring	couverture		
31	900927-0-00	1	molla	spring	anneau ressort		
32	900928-0-00	1	perno	pin	ressort		
33	720505-4-00	2	vite	screw	pivot		
34	900929-0-01	1	supporto	support	vis		
35	900920-0-00	2	piastrina	plate	support		
36	720545-4-00	1	vite	screw	plaquette		
37	733510-4-00	3	dado	nut	vis		
38	900925-4-01	1	pedalina completa	pedal assembly	écrou		
					pédale complète		

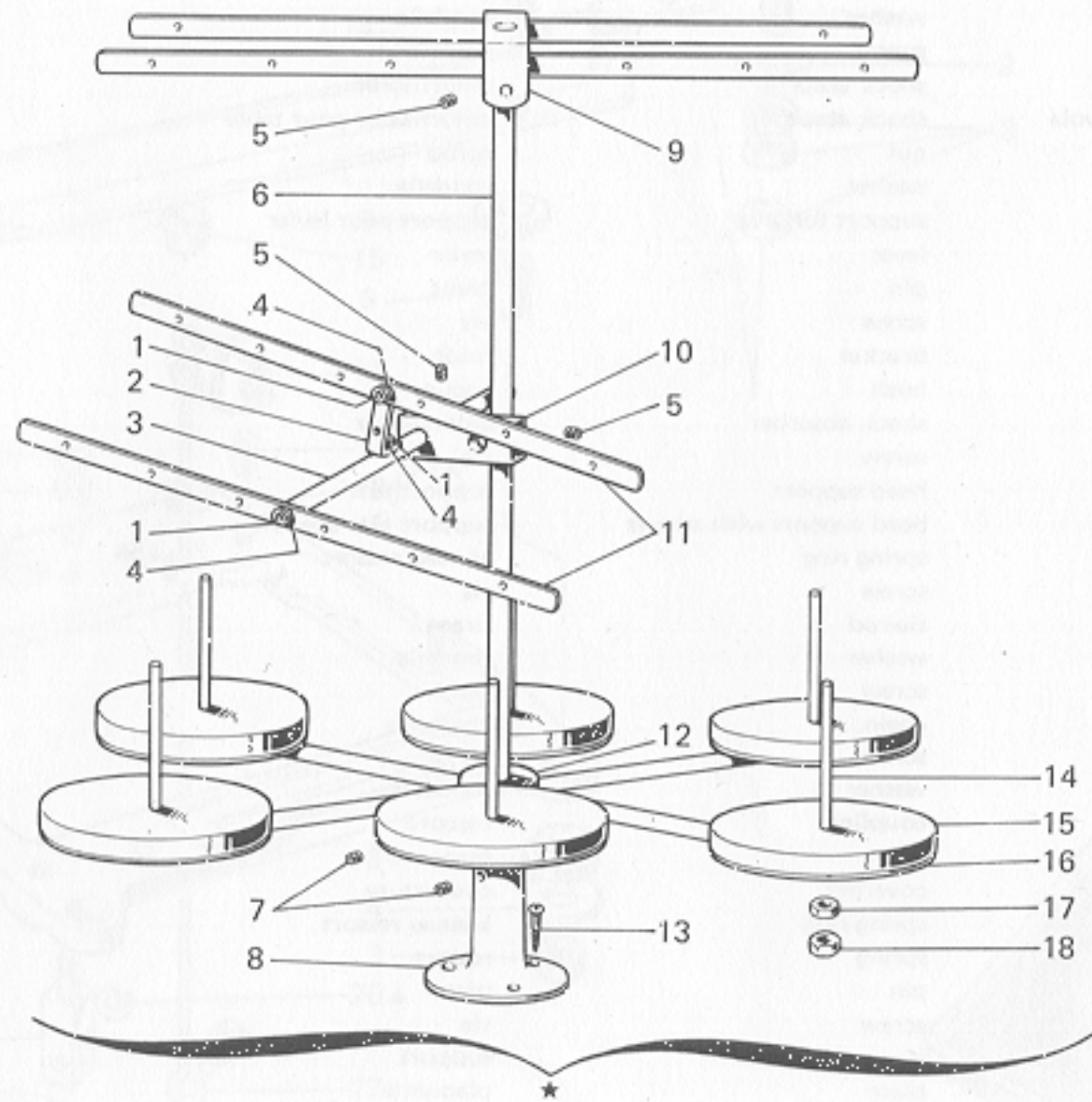
From the library of: Diamond Needle Corp



From the library of: Diamond Needle Corp

Fig. N. Abb. N.	Part. N. Bestell N. Piece N. Pieza N.	Qt. Anzahl	DESCRIZIONE	DESCRIPTION	DESCRIPTION	BENENNUNG	DESCRIPCION
▲	991254-4-00	1	PIAZZAMENTO INCASSATO	SUBMERGED SETTING	INSTALLATION ENCASTREE		
1	722920-2-00	2	supporto testa completo	head support assembly	support tête complet		
2	704346-2-00	4	vite	screw	vis		
3	733813-0-00	14	rondella	washer	rondelle		
4	704345-2-00	6	dado	nut	écrou		
5	901102-0-00	4	rondella	washer	rondelle		
6	901101-0-00	4	distanziale	spacer	entretoise		
7	901101-0-00	3	ammortizzatore	shock absorber	amortisseur		
8	900203-0-10	4	ammortizzatore per tavola	shock absorber	amortisseur pour table		
9	746409-2-00	1	dado	nut	écrou		
10	704316-2-00	1	rondella	washer	rondelle		
11	991256-0-00	1	supportino per leva	support for lever	support pour levier		
12	991255-0-00	1	leva	lever	levier		
13	991257-0-00	1	perno	pin	pivot		
14	720546-0-00	2	vite	screw	vis		
15	901251-2-00	1	staffa	bracket	bride		
16	900204-0-10	1	bussola	bush	bague		
17	990982-0-00	4	ammortizzatore	shock absorber	amortisseur		
18	901253-0-00	4	vite	screw	vis		
19	991250-0-00	1	supporto testa	head support	support tête		
20	991252-4-00	1	supporto testa con viti	head support with screws	support tête avec vis		
21	700208-0-00	1	anello elastico	spring ring	anneau ressort		
22	743541-2-00	1	vite	screw	vis		
23	991259-3-00	1	tirante	tie-rod	tirant		
24	704310-2-00	1	rondella	washer	rondelle		
25	722907-2-00	2	vite	screw	vis		
26	990179-4-11	1	cateneilla	chain	chainette		
27	720464-0-00	2	vite	screw	vis		
28	704009-0-00	2	rondella	washer	rondelle		
29	900926-0-00	1	attacco	coupling	raccorci		
30	733508-4-00	2	dado	nut	écrou		
31	900931-0-00	1	copertura	covering	couverture		
32	900918-0-00	2	anello elastico	spring ring	anneau ressort		
33	900927-0-00	1	molla	spring	ressort		
34	900928-0-00	1	perno	pin	pivot		
35	720505-4-00	2	vite	screw	vis		
36	900929-0-01	1	supporto	support	support		
37	900920-0-00	2	piastrina	plate	plaquette		
38	720545-4-00	1	vite	screw	vis		
39	733510-4-00	3	dado	nut	écrou		
39	900925-4-01	1	pedalina completa	pedal assembly	pédale complète		

From the library of: Diamond Needle Corp



From the library of: Diamond Needle Corp

Fig. N. Abb. N.	Part. N. Pezce N. Bestell N. Pieza N.	Qt. Anzahl	DESCRIZIONE	DESCRIPTION	DESCRIPTION	BENENNUNG	DESCRIPCION
●	308938-4-00	1	gruppo tensione crochet inf.	tension assembly for lower looper	groupe tension crochet inférieur		
1	308556-0-00	1	astina	rod	tige		
2	705201-0-00	1	rondella	washer	rondelle		
3	740220-2-00	1	vite	screw	vis		
4	741413-2-00	2	vite	screw	vis		
5	302172-0-10	1	passafilo	thread guide	passe-fil		
6	741612-0-00	1	vite	screw	vis		
7	308558-0-00	1	traversino	tie-rod	traverse		
8	304905-0-10	1	passafilo	threa guide	passe-fil		
9	302204-0-10	1	pomolo	knob	pommeau		
10	300310-0-10	1	molla	spring	ressort		
11	704218-2-00	1	rondella	washer	rondelle		
12	200324-0-10	2	disco tensione	tension disc	disque tension		
13	300391-0-10	1	perno a vite	threaded pin	pivot à vis		
14	741642-2-00	1	vite	screw	vis		
15	302168-2-10	1	supporto	support	support		
16	308553-2-00	1	piastra	plate	plaque		
17	721444-2-00	2	vite	screw	vis		
18	308551-0-00	1	squadretta	bracket	équerre		
19	704302-4-00	3	rondella	washer	rondelle		
20	740210-2-00	2	vite	screw	vis		
21	302136-0-11	1	passafilo	thread guide	passe-fil		
22	308137-0-00	1	cavallotto	coupling	cavalier		
23	308890-0-00	1	passafilo	thread guide	passe-fil		
24	724420-2-00	1	vite	screw	vis		
25	729011-2-00	1	vite	screw	vis		
26	741682-0-00	1	vite	screw	vis		
27	302149-0-11	1	passafilo	thread guide	passe-fil		
28	311098-0-00	2	passafilo	thread guide	passe-fil		
29	704210-4-00	2	rondella	washer	rondelle		
30	300483-0-10	2	vite	screw	vis		
31	303045-0-10	3	vite	screw	vis		
32	308203-0-01	3	guidafilo	thread guide	guide-fil		

From the library of: Diamond Needle Corp

Fig. N. Abb. N.	Part. N. Piece N. Bestell N. Pieza N.	Qt. Anzahl	DESCRIZIONE	DESCRIPTION	DESCRIPTION	BENENNUNG	DESCRIPCION
★	991135-5-00	1	porta bobine compl. (5-6 fili)	bobbin carrier ass. (5-6 Threads)	porte bobine compl. (5-6 fils)		
1	722431-2-00	3	vite	screw	vis		
2	991107-2-00	1	squadretta	bracket	équerre		
3	991106-2-00	1	asta	rod	tige		
4	703005-0-00	3	rondella	washer	rondelle		
5	729034-2-00	3	vite	screw	vis		
6	991113-0-00	1	asta principale	main rod	tige principale		
7	729054-2-00	3	vite	screw	vis		
8	991114-2-00	1	basetta con vite	base with screw	base avec vis		
9	991139-3-00	1	telaio sup. completo	upper frame assembly	bâti supérieur complet		
10	991128-2-00	1	blocchetto	block	bloc		
11	991137-2-00	2	telaio con bussole	frame with bush	bâti avec bague		
12	991144-3-00	1	mozzo con aste	hub with rods	moyeu avec tiges		
13	731107-2-00	3	vite da legno	screw	vis		
14	991111-2-00	6	astina	rod	tige		
15	991179-0-00	6	disco	disc	disque		
16	991112-0-00	6	piatto	disc	plateau		
17	925433-0-00	6	dado	nut	écrou		
18	733508-2-00	6	dado	nut	écrou		

From the library of: Diamond Needle Corp

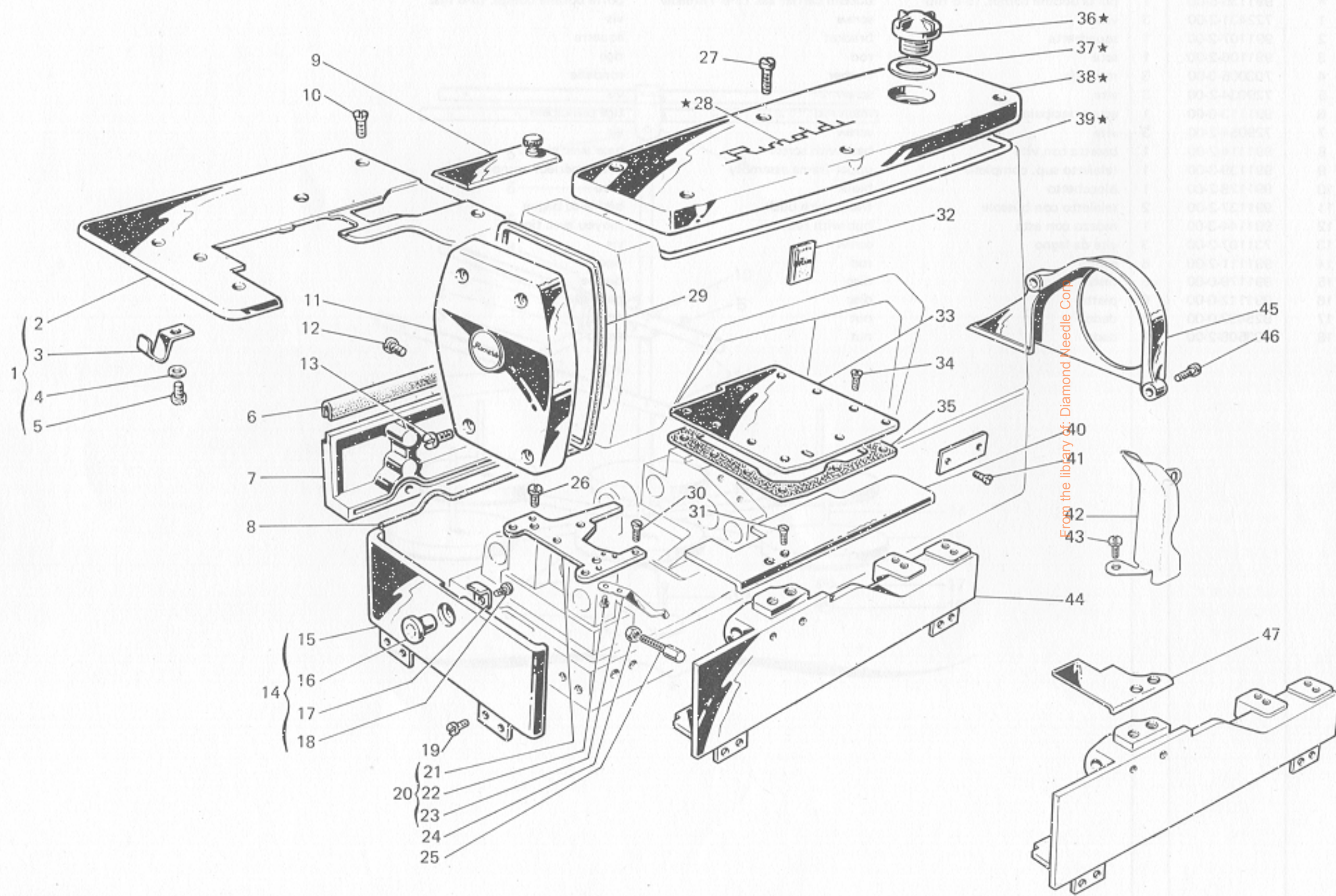
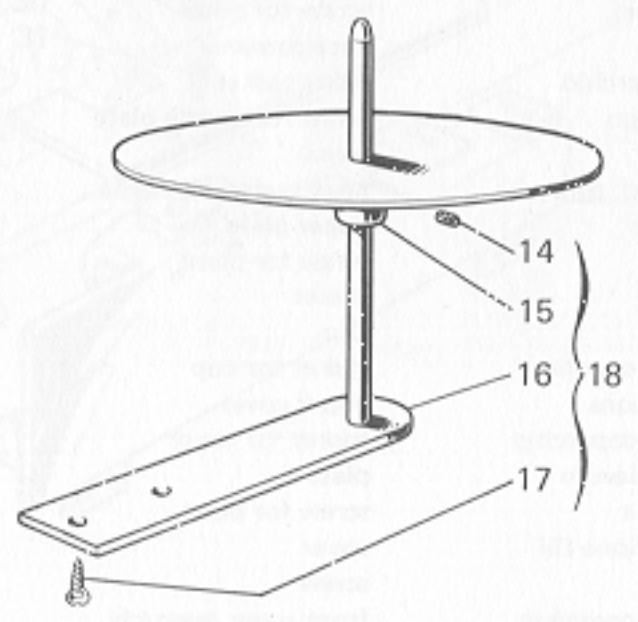
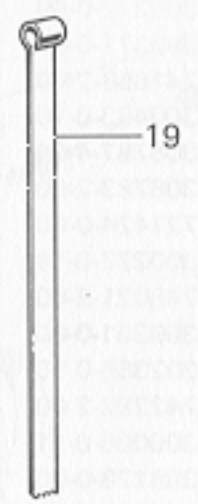
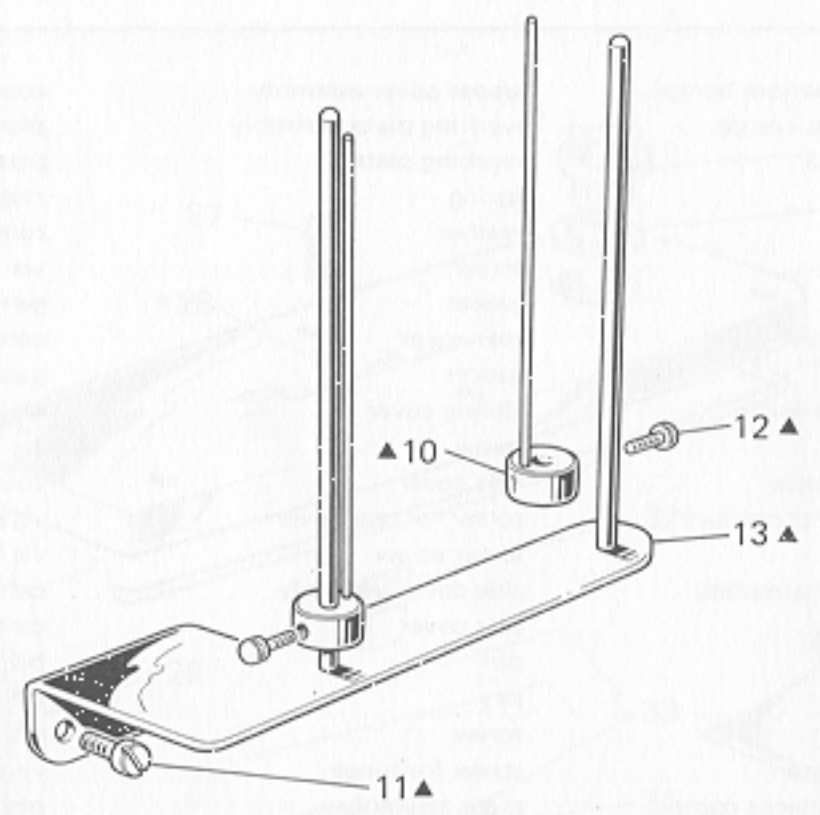
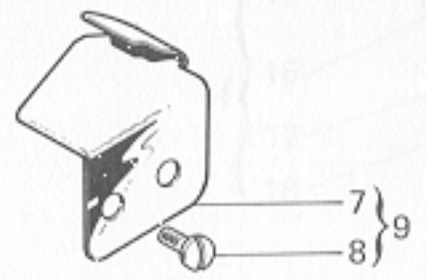
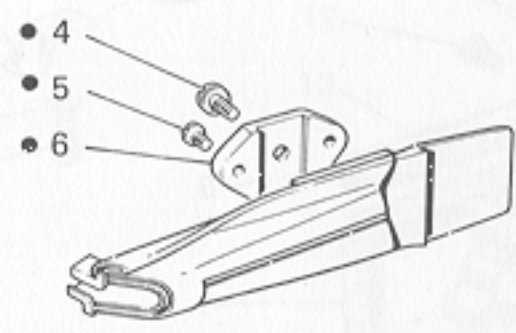
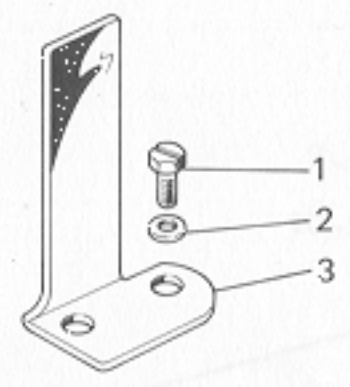


Fig. N. Abb. N.	Part. N. Piece N. Bestell N. Pieza N.	Qt. Anzahl	DESCRIZIONE	DESCRIPTION	DESCRIPTION	BENENNUNG	DESCRIPCION
★	308103-4-10	1	coperchio superiore compl.	upper cover assembly	couvercle supérieur compl.		
1	309064-4-00	1	piano di lavoro compl.	working plate assembly	plan de travail complet		
2	309047-2-00	1	piano di lavoro	working plate	plan de travail		
3	309351-0-00	1	molla	spring	ressort		
4	704306-0-00	1	rondella	washer	rondelle		
5	720411-0-00	1	vite	screw	vis		
6	309088-0-00	1	guarnizione	gasket	garniture		
7	309086-0-01	1	carter posteriore	rear cover	carter arrière		
8	309084-0-00	1	guarnizione	gasket	garniture		
9	309302-2-00	1	coperchio scorrevole	sliding cover	couvercle coulissant		
10	744636-2-00	4	vite	screw	vis		
11	308101-2-00	1	coperchio laterale	side cover	couvercle latéral		
12	741088-2-00	3	vite per carter posteriore	screw for rear cover	vis pour carter arrière		
13	302353-0-10	1	vite inferiore	lower screw	vis inférieur		
14	309139-4-00	1	carter laterale completo	side cover assembly	carter latéral compl.		
15	309126-3-00	1	carter laterale	side cover	carter latéral		
16	309372-0-00	1	perno	pin	pivot		
17	309371-0-00	1	chiavistello	key	clé		
18	741658-2-00	1	vite	screw	vis		
19	300483-0-10	8	vite per cerniera	screw for hinge	vis pour charnière		
20	308787-4-00	1	piastra porta placca compl.	plate assembly	plaque complète		
21	308783-2-00	1	piastra porta placca	plate	plaque		
22	721424-0-00	2	vite	screw	vis		
23	300277-0-10	1	molla	spring	ressort		
24	746021-2-00	1	dado per vite di fermo	nut for screw	écrou pour vis		
25	309331-0-00	1	vite di fermo	screw	vis		
26	302355-0-10	2	vite per piastra	screw for plate	vis pour plaque		
27	742282-2-00	6	vite per coperchio	screw for cover	vis pour couvercle		
28	300006-0-11	2	decalcomania	decalcomania	décalcomanie		
29	308128-0-00	1	guarnizione coperchio	cover gasket	garniture couvercle		
30	744730-0-00	2	vite per placca ago	screw for needle plate	vis pour plaque à aiguille		
31	744656-2-00	2	vite	screw	vis		
32	788131-0-01	1	decalcomania sist. aghi	needles decalcomania	décalcomanie syst. aiguille		
33	309324-2-00	1	piastra superiore	upper plate	plaque supérieur		
34	724442-2-00	10	vite per piastra	screw for plate	vis pour plaque		
35	309323-0-00	1	guarnizione	gasket	garniture		
36	202239-0-10	1	cupolina	cup	coupole		
37	705970-0-00	1	guarnizione per cupolina	gasket for cup	garniture pour coupole		
38	308102-0-10	1	coperchio superiore	upper cover	couvercle supérieur		
39	308129-0-00	1	guarnizione per coperchio	gasket for cover	garniture pour couvercle		
40	309235-0-00	1	piastra piano di lavoro	plate	plaque		
41	202165-0-10	2	vite per targhetta	screw for plate	vis pour plate		
42	309352-0-10	1	carterino protezione fili	cover	carter		
43	721485-2-00	1	vite	screw	vis		
44	309159-3-00	1	carter anteriore completo	front cover assembly	carter avant complet		
45	308462-0-00	1	copricinghia per volantino Ø 85	belt cover for handwheel Ø 85	couvre-courroie pour volant Ø 85		
46	721475-2-00	2	vite	screw	vis		
47	309244-0-00	1	piastra piano di lavoro	plate	plaque		

From the library of: Diamond Needle Corp



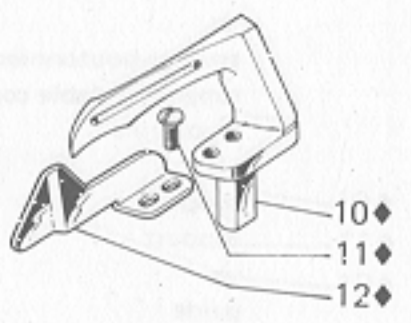
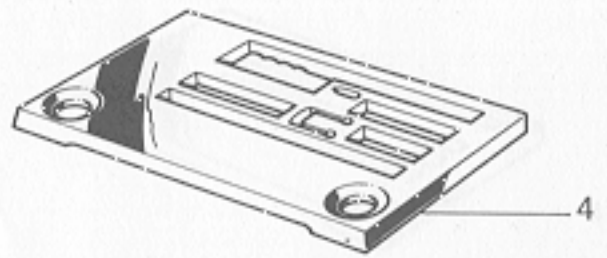
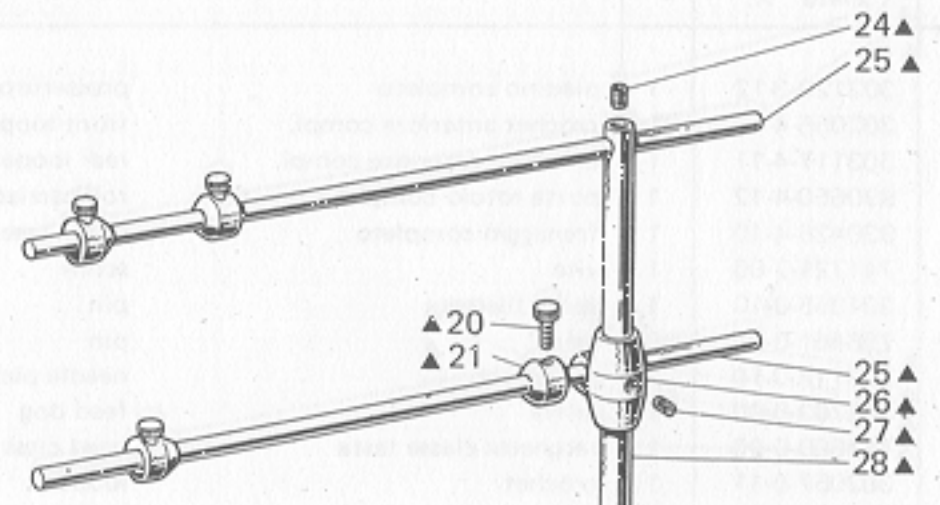
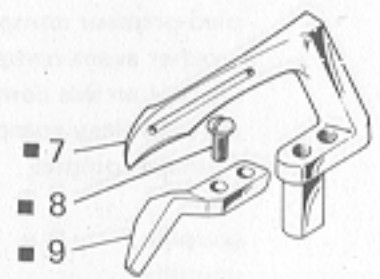
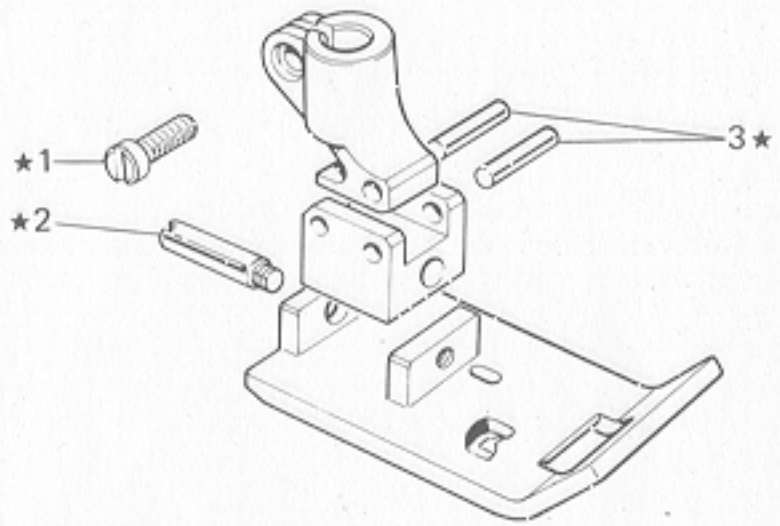
From the library of: Diamond Needle Corp

Fig. N. Abb. N.	Part. N. Piece N. Bestell N. Pieza N.	Qt. Anzahl	DESCRIZIONE	DESCRIPTION	DESCRIPTION	BENENNUNG	DESCRIPCION
●	760006-0-00	1	guida laterale	side guide	guide latéral		
▲	930007-4-11	1	tensione regolabile compl.	tension assembly	tension complète		
1	303023-0-10	2	vite	screw	vis		
2	704216-2-00	2	rondella	washer	rondelle		
3	303844-0-10	1	squadretta	bracket	équerre		
4	300128-0-10	1	vite	screw	vis		
5	724856-2-00	2	vite	screw	vis		
6	300130-0-10	1	attacco	pipe union	raccord		
7	303843-0-10	1	guida	guide	guide		
8	300483-0-10	2	vite	screw	vis		
9	310005-4-00	1	guida completa	guide assembly	guide complet		
10	930013-2-10	2	morsetto con spina	clamp with pin	collier de serrage avec goupille		
11	721486-2-00	2	vite	screw	vis		
12	930096-0-10	2	pomolo	knob	pommeau		
13	930025-2-11	1	sostegno con spina	support with pin	support avec goupille		
14	727245-2-00	2	vite	screw	vis		
15	990560-2-10	1	piatto	disc	plateau		
16	991321-2-00	1	supporto	support	support		
17	731107-2-00	2	vite da legno	screw	vis		
18	991322-4-00	1	porta rotolo completo	roll carrier assembly	porte-rouleau complet		
19	930105-0-10	1	astina	rod	tige		
			SOLO A RICHIESTA	ONLY ON REQUEST	SEULEMENT SUR DEMANDE		
●	760007-0-00	1	guida laterale compi.	side guide assembly	guide latéral complet		
	<u>Tav. 3</u>		ANNULLATA	CANCELLED	ANNULEE		

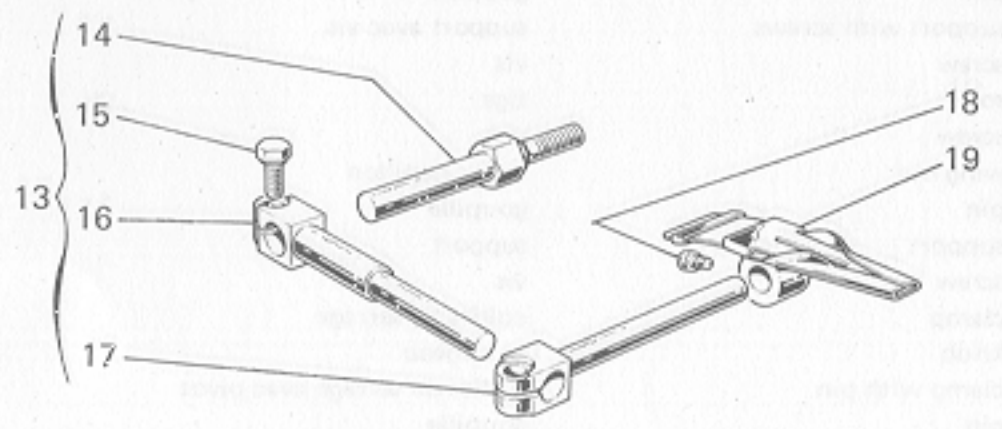
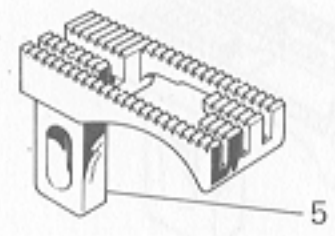
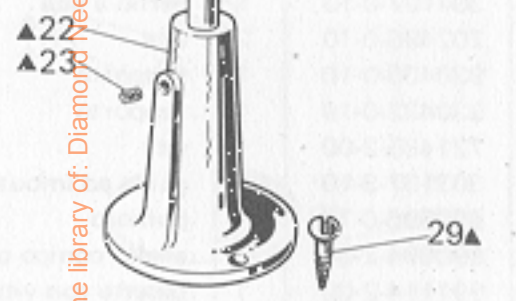
From the library of: Diamond Needle Corp

Fig. N. Abb. N.	Part. N. Piece N. Bestell N. Pieza N.	Ct. Anzahl	DESCRIZIONE	DESCRIPTION	DESCRIPTION	BENENNUNG	DESCRIPCION
★	303120-3-12	1	pedino completo	presserfoot assembly		pied-presseur complet	
■	302056-4-11	1	crochet anteriore compl.	front looper assembly		crochet avant complet	
◆	303117-4-11	1	crochet posteriore compl.	rear looper assembly		crochet arrière complet	
▲	990650-4-12	1	porta rotolo completo	roll carrier assembly		porte-rouleau complet	
●	930428-4-10	1	frenaggio completo	brake assembly		freinage complet	
1	741721-2-00	1	vite	screw		vis	
2	301355-0-10	1	spina filettata	pin		goupille	
3	706461-0-00	2	spina	pin		goupille	
4	303118-0-10	1	placca ago	needle plate		plaque à aiguille	
5	308703-0-00	1	griffa	feed dog		griffe	
6	784600-0-20	1	targhetta classe testa	head class plate		plaque classe tête	
7	302057-0-11	1	crochet	looper		crochet	
8	203187-0-11	2	vite	screw		vis	
9	302063-0-10	1	salva asola	needle guard		protège-boutonnière	
10	303116-0-11	1	crochet	looper		crochet	
11	302923-0-10	2	vite	screw		vis	
12	302905-0-10	1	salva asola	needle guard		protège-boutonnière	
13	930431-4-10	1	supporto regolabile compl.	adjustment support ass.		support réglable compl.	
14	304107-0-10	1	perno a vite	threaded pin		pivot à vis	
15	202486-0-10	2	vite	screw		vis	
16	930430-0-10	1	supporto	support		support	
17	930432-0-10	1	supporto	support		support	
18	721435-2-00	1	vite	screw		vis	
19	303137-3-10	1	guida ad imbuto con vite	guide		guide	
20	990596-0-10	4	pomolo	knob		poimeau	
21	990594-2-00	4	anello conico con pomolo	ring cone with knob		bague conique avec poimeau	
22	991114-2-00	1	basetta con vite	base with screw		base avec vis	
23	729054-2-00	1	vite	screw		vis	
24	729034-2-00	1	vite	screw		vis	
25	990593-0-11	2	spina	pin		goupille	
26	991153-2-00	1	supporto con viti	support with screws		support avec vis	
27	729024-2-00	2	vite	screw		vis	
28	990592-0-11	1	asta	rod		tige	
29	731107-2-00	3	vite da legno	screw		vis	
30	930136-0-10	1	dado con alette	wing nut		écrou papillon	
31	930067-0-10	1	spina filettata	pin		goupille	
32	930427-3-10	1	sostegno	support		support	
33	930281-0-11	2	vite	screw		vis	
34	930094-0-10	1	morsetto	clamp		collier de serrage	
35	930096-0-10	2	pomolo	knob		poimeau	
36	930090-2-10	1	morsetto con spina	clamp with pin		collier de serrage avec pivot	
37	930081-0-10	1	spina	pin		goupille	
38	930079-4-10	1	frenaggio	brake		freinage	

From the library of: Diamond Needle Corp



From the library of: Diamond Needle Corp



S.p.A. V. Remoldi - C.M.ano
Made in Italy

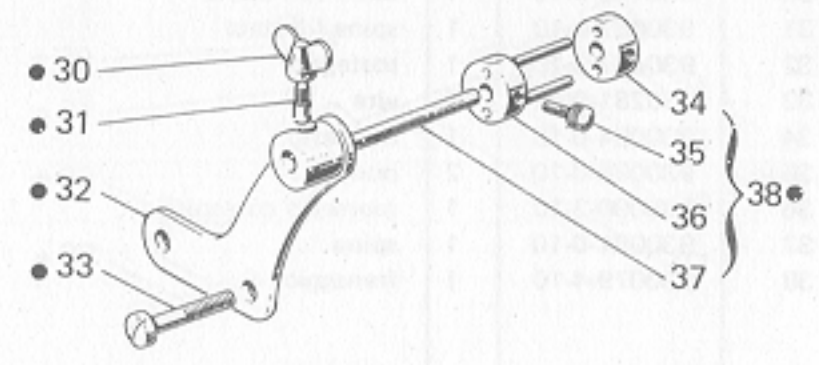


Fig. N. Abb. N.	Part. N. Bestell N. Pieza N.	Qt. Anzahl	DESCRIZIONE	DESCRIPTION	DESCRIPTION	BENENNUNG	DESCRIPCION
★	303121-3-12	1	piedino completo	presserfoot assembly	pied-presseur complet		
■	302056-4-11	1	crochet anteriore compl.	front looper assembly	crochet avant compl.		
◆	302904-4-11	1	crochet posteriore compl.	rear looper assembly	crochet arrière compl.		
▲	990650-4-12	1	porta rotolo completo	roll carrier assembly	porte-rouleau complet		
●	930428-4-10	1	frenaggio completo	brake assembly	freinage complet		
1	741721-2-00	1	vite	screw	vis		
2	301355-0-10	1	spina filettata	pin	goupille		
3	706461-0-00	2	spina	pin	goupille		
4	303119-0-10	1	placca ago	needle plate	plaque à aiguille		
5	308704-0-00	1	griffa	feed dog	griffe		
6	784600-0-20	1	targhetta classe testa	head class plate	plaque classe tête		
7	302057-0-11	1	crochet	looper	crochet		
8	203187-0-11	2	vite	screw	vis		
9	302063-0-10	1	salva asola	needle guard	protège-boutonnière		
10	302903-0-11	1	crochet	looper	crochet		
11	302923-0-10	2	vite	screw	vis		
12	302905-0-10	1	salva asola	needle guard	protège-boutonnière		
13	930431-4-10	1	supporto regolabile compl.	adjustment support ass.	support réglable compl.		
14	304107-0-10	1	perno a vite	threaded pin	pivot à vis		
15	202486-0-10	2	vite	screw	vis		
16	930430-0-10	1	supporto	support	support		
17	930432-0-10	1	supporto	support	support		
18	721435-2-00	1	vite	screw	vis		
19	303141-3-10	1	guida ad imbuto con vite	guide	guide		
20	990596-0-10	4	pomolo	knob	pommeau		
21	990594-2-00	4	anello conico con pomolo	ring cone with knob	bague conique avec pommeau		
22	991114-2-00	1	basetta con vite	base with screw	base avec vis		
23	729054-2-00	1	vite	screw	vis		
24	729034-2-00	1	vite	screw	vis		
25	990593-0-11	2	spina	pin	goupille		
26	991153-2-00	1	supporto con viti	support with screws	support avec vis		
27	729024-2-00	2	vite	screw	vis		
28	990592-0-11	1	asta	rod	tige		
29	731107-2-00	3	vite da legno	screw	vis		
30	930136-0-10	1	dado con alette	wing nut	écrou papillon		
31	930067-0-10	1	spina filettata	pin	goupille		
32	930427-3-10	1	sostegno	support	support		
33	930281-0-11	2	vite	screw	vis		
34	930094-0-10	1	morsetto	clamp	collier de serrage		
35	930096-0-10	2	pomolo	knob	pommeau		
36	930090-2-10	1	morsetto con spina	clamp with pin	collier de serrage avec goupille		
37	930081-0-10	1	spina	pin	goupille		
38	930079-4-10	1	frenaggio	brake	freinage		
	Tav. 9						
▲	303113-4-11	1	morsetto porta aghi compl.	needles clamp assembly	porte-aiguilles complet		
26	303111-0-11	1	morsetto porta aghi	needles clamp	porte-aiguilles		
44	303130-0-10	1	passafilo	thread guide	passe-fil		
45	309774-0-00	1	passafilo	thread guide	passe-fil		

From the library of: Diamond Needle Corp

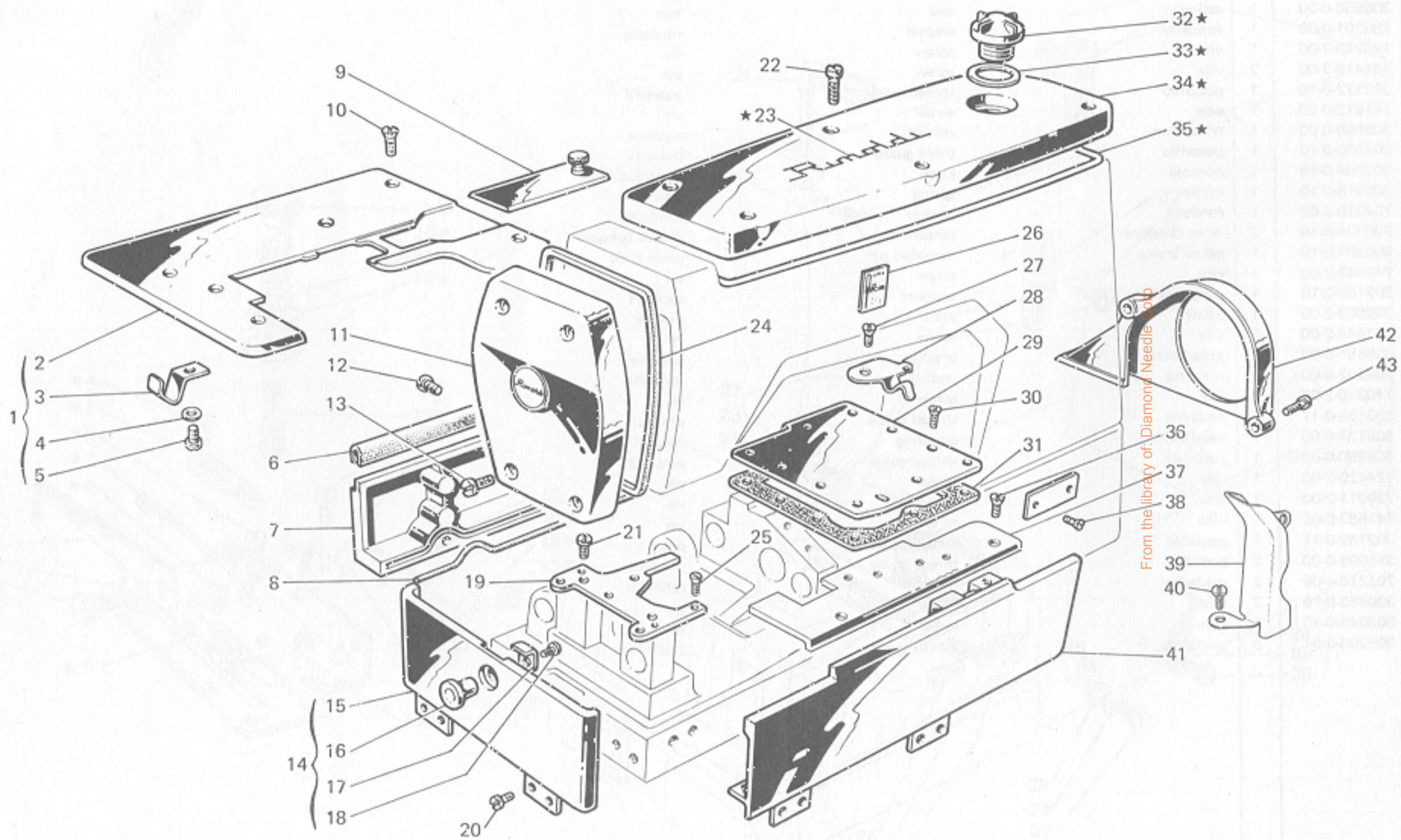


Fig. N. Abb. N.	Part. N. Piece N. Bastell N. Pieza N.	Ot. Anzahl	DESCRIZIONE	DESCRIPTION	DESCRIPTION	BENENNUNG	DESCRIPCION
★	308103-4-10	1	coperchio sup. compl.	upper cover assembly	couvercle supérieur compl.		
1	309063-4-00	1	piano di lavoro completo	working plate assembly	plan de travail complet		
2	309046-2-00	1	piano di lavoro	working plate	plan de travail		
3	309351-0-00	1	molla	spring	ressort		
4	704306-0-00	1	rondella	washer	rondelle		
5	720411-0-00	1	vite	screw	vis		
6	309088-0-00	1	guarnizione	gasket	garniture		
7	309086-0-01	1	carter posteriore	rear cover	carter arrière		
8	309084-0-00	1	guarnizione	gasket	garniture		
9	309302-0-00	1	coperchio scorrevole	sliding cover	couvercle coulissant		
10	744636-2-00	4	vite	screw	vis		
11	308101-2-00	1	coperchio laterale	side cover	couvercle latéral		
12	741088-2-00	3	vite per carter posteriore	screw for rear cover	vis pour carter arrière		
13	302353-0-10	1	vite inferiore	lower screw	vis inférieur		
14	309139-4-00	1	carter laterale completo	side cover assembly	carter latéral complet		
15	309126-3-00	1	carter laterale	side cover	carter latéral		
16	309372-0-00	1	perno	pin	pivot		
17	309371-0-00	1	chiavistello	key	clé		
18	741658-2-00	1	vite	screw	vis		
19	308783-2-00	1	piastra porta placca	plate	plaque		
20	300483-0-10	8	vite per cerniera	screw for hinge	vis pour charnière		
21	302355-0-10	2	vite per piastra	screw for plate	vis pour plaque		
22	742282-2-00	6	vite per coperchio	screw for cover	vis pour couvercle		
23	300006-0-11	2	decalcomania	decalcomania	décalcomanie		
24	308128-0-00	1	guarnizione coperchio	cover gasket	garniture couvercle		
25	744730-0-00	2	vite per placca ago	screw for needle plate	vis pour plaque aiguille		
26	788131-0-01	1	decalcomania sistema aghi	needle decalcomania	décalcomanie syst. aiguille		
27	721474-2-00	1	vite	screw	vis		
28	309360-0-00	1	molla chiusura carter	spring	ressort		
29	309324-2-00	1	piastra superiore	upper plate	plaque supérieure		
30	724442-2-00	9	vite per piastra	screw for plate	vis pour plaque		
31	309323-0-00	1	guarnizione	gasket	garniture		
32	202239-0-10	1	cupolina	cup	coupole		
33	705970-0-00	1	guarnizione per cupolina	gasket	garniture		
34	308102-0-10	1	coperchio superiore	upper cover	couvercle supérieur		
35	308129-0-00	1	guarnizione per coperchio	gasket for cover	garniture pour couvercle		
36	744656-2-00	2	vite	screw	vis		
37	309241-0-00	1	piastra piano di lavoro	working plate	plaque plan de travail		
38	202165-0-10	2	vite per targhetta	screw for plate	vis pour plaquette		
39	309352-0-10	1	carterino protezione fiili	cover	carter		
40	721485-2-00	1	vite	screw	vis		
41	309177-3-00	1	carter anteriore completo	front cover assembly	carter avant complet		
42	308462-0-00	1	copricinghia per volantino Ø 85	belt cover for handwheel Ø 85	couvre-courroie pour volant Ø 85		
43	721475-2-00	2	vite	screw	vis		

From the library of: Diamond Needle Corp

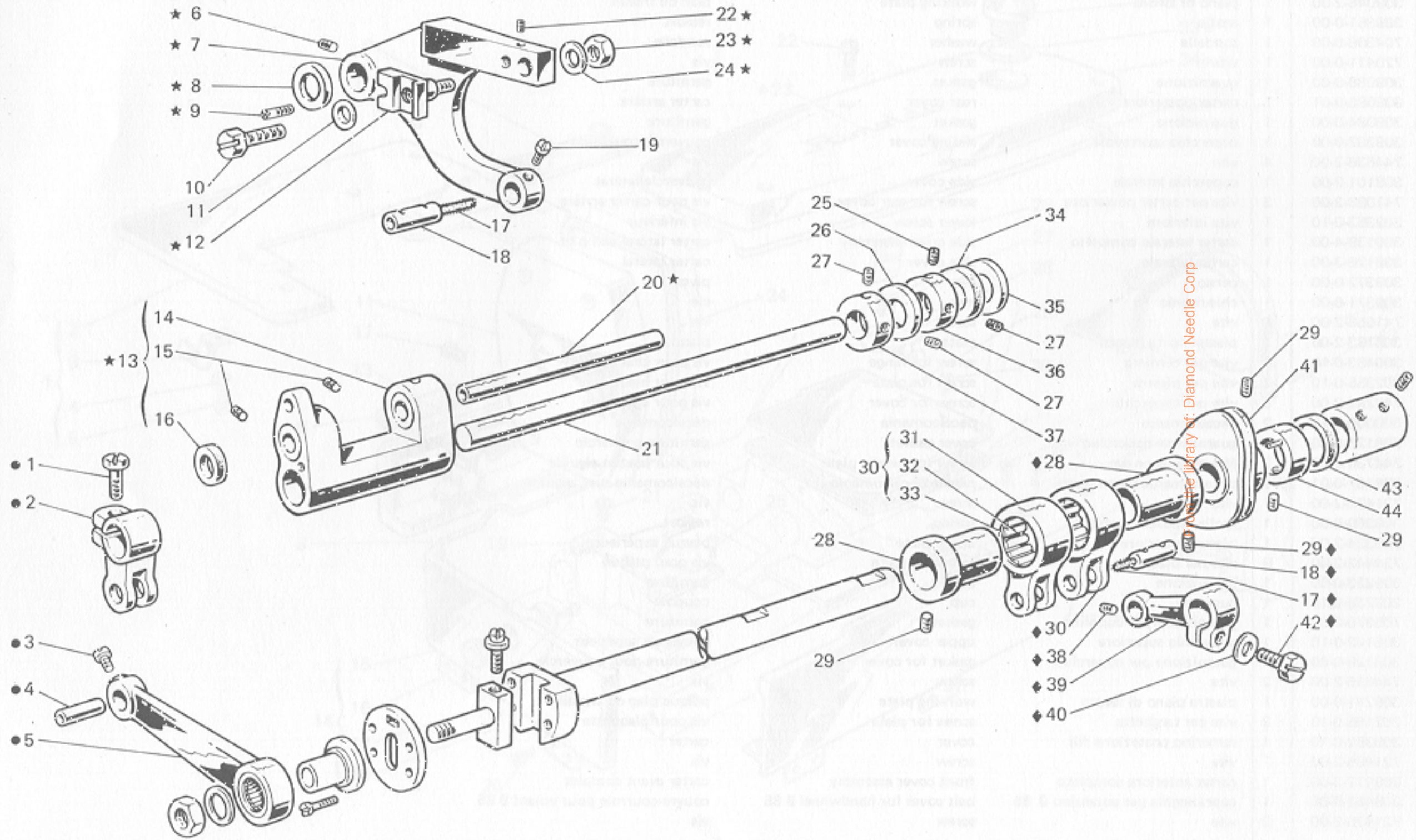
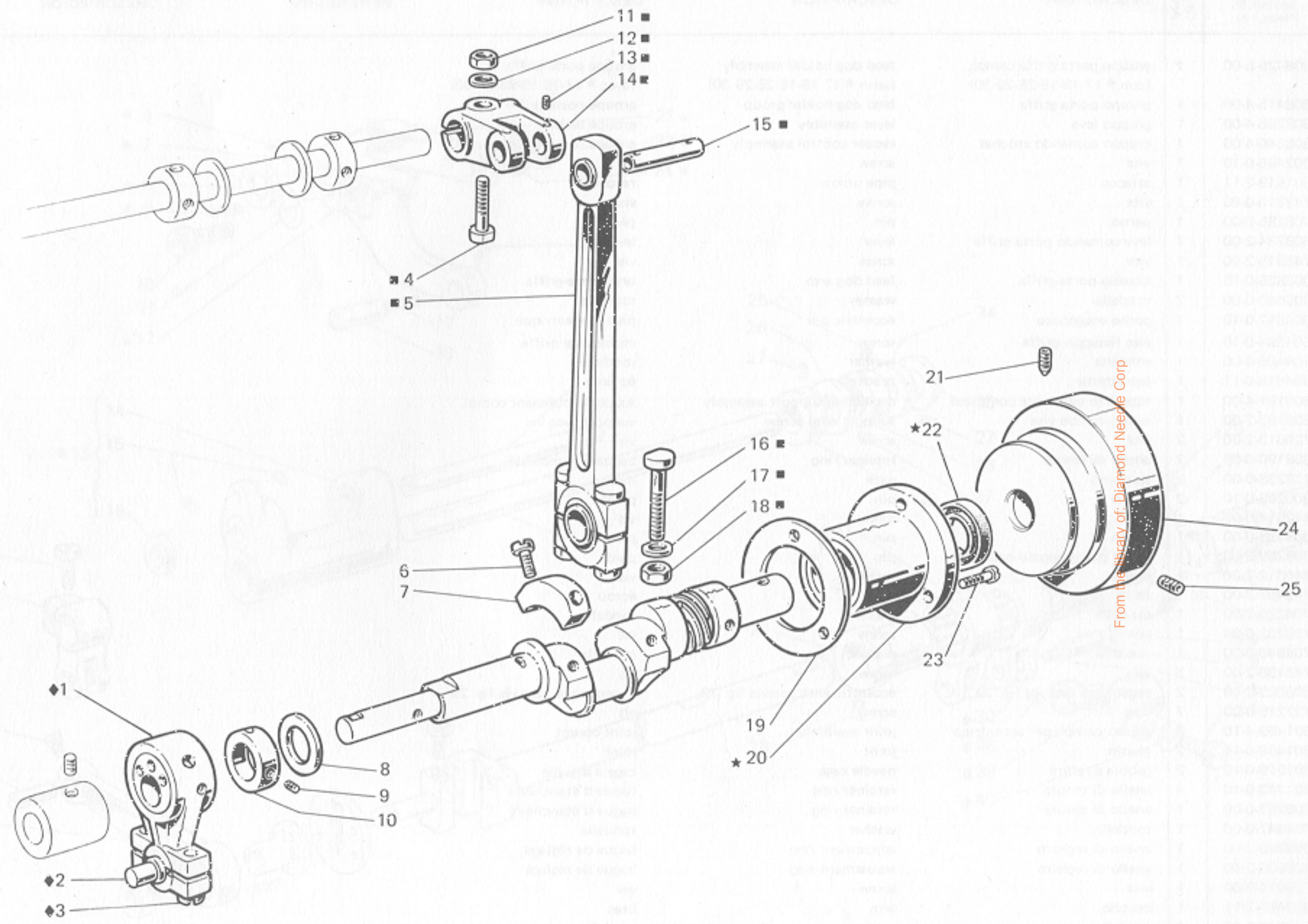


Fig. N. Abb. N.	Part. N. Piece N. Bestell N. Pieza N.	Qt. Anzahl	DESCRIZIONE	DESCRIPTION	DESCRIPTION	BENENNUNG	DESCRIPCION
—	308425-5-00	1	gruppo porta griffa compl. (con ★ 17-18-19-28-29-30)	feed dog holder assembly (with ★ 17-18-19-28-29-30)	groups porte-griffe (avec ★ 17-18-19-28-29-30)		
★	308415-4-00	1	gruppo porta griffa	feed dog holder group	groupe porte griffe		
●	308286-4-00	1	gruppo leva	lever assembly	groupe levier		
◆	308340-4-00	1	gruppo comando crochet	looper control assembly	groupe commande crochet		
1	202486-0-10	1	vite	screw	vis		
2	301519-2-11	1	attacco	pipe union	raccord		
3	742813-0-00	1	vite	screw	vis		
4	308285-0-00	1	perno	pin	pivot		
5	308284-2-00	1	leva comando porta griffa	lever	levier		
6	745815-2-00	1	vite	screw	vis		
7	303825-0-10	1	braccio porta griffa	feed dog arm	bras porte-griffe		
8	309560-0-00	2	rondella	washer	rondelle		
9	304612-0-10	1	perno eccentrico	eccentric pin	pivot excentrique		
10	304684-0-10	1	vite fissaggio griffa	screw	vis blocage griffe		
11	704406-0-00	1	rondella	washer	rondelle		
12	304616-0-11	1	squadretta	bracket	équerre		
13	308191-4-00	1	supporto oscillante completo	oscillating support assembly	support coulissant compl.		
14	308193-2-00	1	supporto con vite	support with screw	support avec vis		
15	729013-2-00	2	vite	screw	vis		
16	308190-0-00	2	anello di tenuta	retainer ring	bague d'étanchéité		
17	778238-0-00	2	stoppino	wick	mèche		
18	300209-0-10	2	perno	pin	pivot		
19	742811-0-00	1	vite	screw	vis		
20	308195-0-00	1	perno	pin	pivot		
21	308289-2-00	1	perno per supporto oscillante	pin	pivot		
22	745812-2-00	1	vite	screw	vis		
23	746407-2-00	1	dado	nut	écrou		
24	704226-2-00	1	rondella	washer	rondelle		
25	728232-0-00	1	vite	screw	vis		
26	704846-0-00	1	rondella	washer	rondelle		
27	745136-2-00	3	vite	screw	vis		
28	308029-2-00	2	eccentrico con viti fig. 29	eccentric with screws fig. 29	excentrique avec vis fig. 29		
29	727215-0-00	7	vite	screw	vis		
30	301459-4-10	2	giunto compl. per eccentrico	joint assembly	joint compl.		
31	301458-0-10	2	giunto	joint	joint		
32	301579-0-10	2	gabbia a rulli	needle cage	cage à aiguille		
33	201143-0-10	4	anello di tenuta	retainer ring	bague d'étanchéité		
34	308287-0-00	1	anello di tenuta	retainer ring	bague d'étanchéité		
35	704347-0-00	1	rondella	washer	rondelle		
36	309839-2-00	1	anello di registro	adjustment ring	bague de réglage		
37	309838-2-00	1	anello di registro	adjustment ring	bague de réglage		
38	729011-2-00	1	vite	screw	vis		
39	303459-2-11	1	braccio	arm	bras		
40	704218-2-00	1	rondella	washer	rondelle		
41	308971-3-00	1	tendifilo a camma con viti	cam thread take-up with screws	tendeur du fil à came avec vis		
42	300377-0-10	1	vite	screw	vis		
43	308119-0-00	1	anello di tenuta	retainer ring	bague d'étanchéité		
44	308967-2-00	1	anello limitatore	limiter ring	bague		

From the library of: Diamond Needle Corp



From the library of: Diamond Needle Corp